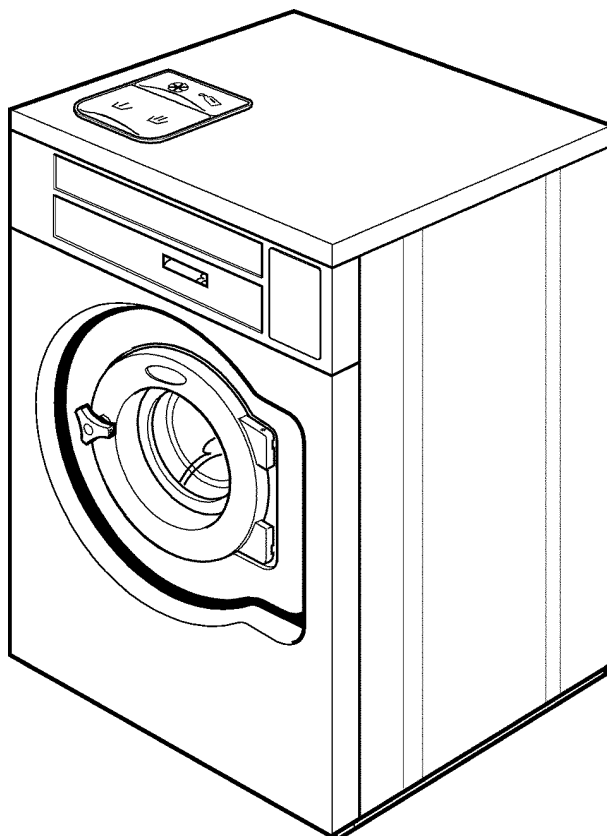


**WASCOMAT**

Spare Parts Catalogue

Catalogue de pièces de rechange

---



E630,W630

---

Washer extractor

Laveuses essoreuses

---

Valid up to machine No. -xxx/99999

DOC. NO. **438 9190-92**  
EDITION 44.2009



## List of issues

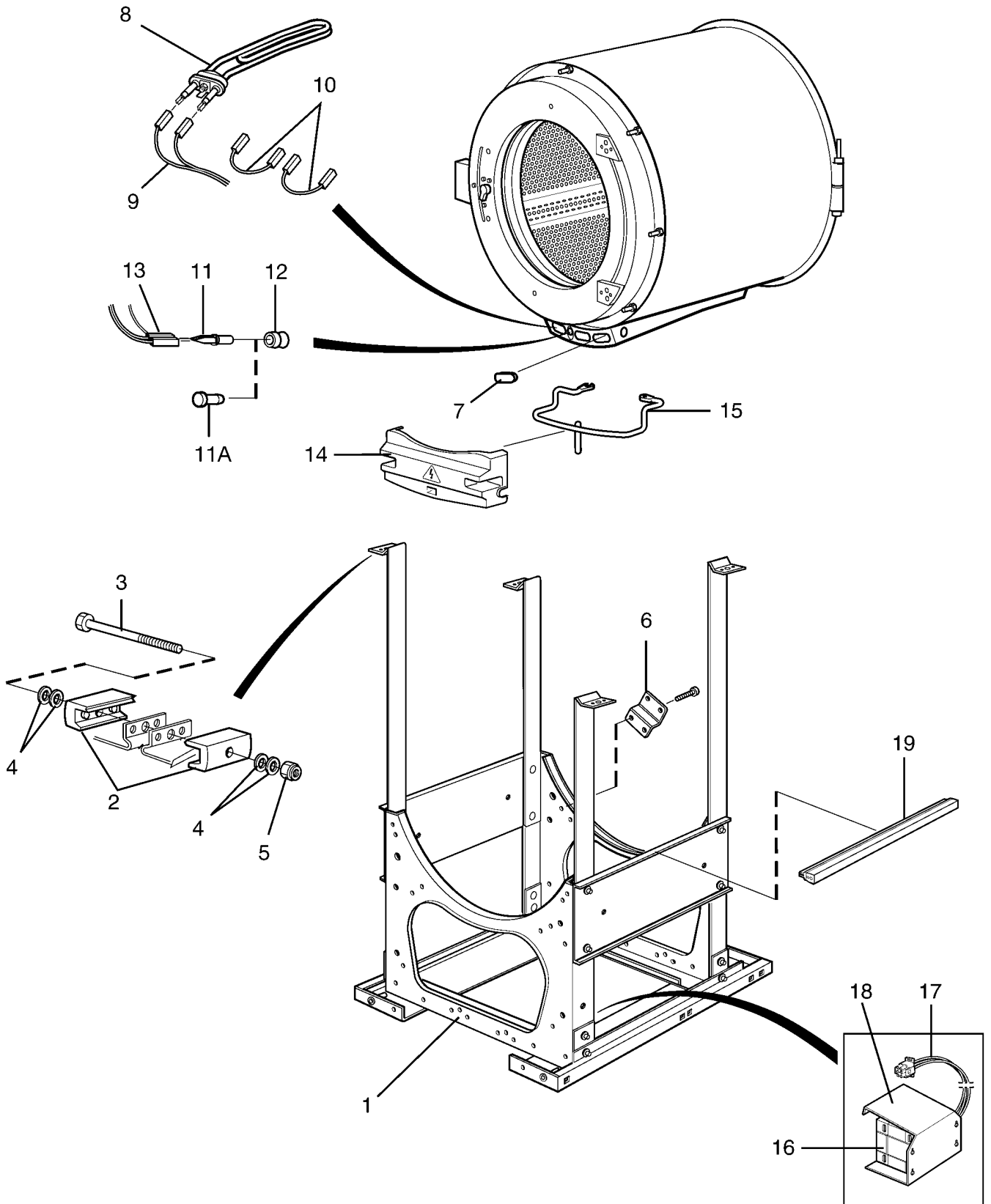
### **E630,W630,W630c,W630s**

Illustration	Page	Table of contents
101761	13	Door and hinged joint
101765	35	Electrical components Clarus
101768	57	Water connections
101769	25	Control panel Exacta
101770	29	Control panel Clarus
101771	73	Detergent container
101772	63	Drain valve
101774	7	Base and outer drum
101776	15	Door lock
101779	59	Inlet valves and cable set
101780	61	Inlet valves and cable set
101918	69	Steam components
101920	17	Motor
101921	67	Drain valve, electrical
101928	31	Electrical components Exacta
101930	65	Drain valve and hoses
101937	39	Electric components Classic OL02
101938	43	Electric components Classic OL03
101939	51	Electric components 3AC
101940	49	Electric components Classic 1AC
101941	47	Electric components 1AC
101942	53	Electric components Classic 3AC
101943	55	Capacitor
101947	45	Electric components connection
101948	9	Lining and top panel
101949	27	Control panel Classic
101991	71	Manual starter unit, Classic
102107	75	CMIS
102112	11	Drum, rear gable



## E630,W630,W630c,W630s

Table of contents	Table des matières	Page/Page
Base and outer drum	Base et tambour externe	7
Lining and top panel	Panneau frontal avec pupitre de commande	9
Drum, rear gable	Tambour, pignon arrière	11
*Door and hinged joint	Assemblage articulé et plaque	13
Door lock	Serrure de porte	15
Motor	Moteur	17
Control panel Exacta	Pupitre de commande Exacta	25
Control panel Classic	Pupitre de commande Classic	27
Control panel Clarus	Pupitre de commande Clarus	29
Electrical components Exacta	Composants électriques Exacta	31
Electrical components Clarus	Composants électriques Clarus	35
*Electric components Classic OL02	Composants électriques Classic OL02	39
*Electric components Classic OL03	Composants électriques Classic OL03	43
Electric components connection	Composants électriques raccordement électrique	45
Electric components 1AC	Composants électriques 1AC	47
Electric components Classic 1AC	Composants électriques Classic 1AC	49
Electric components 3AC	Composants électriques 3AC	51
Electric components Classic 3AC	Composants électriques Classic 3AC	53
Capacitor	Condensateur	55
Water connections	Raccords d'eau	57
Inlet valves and cable set	Inlet valves and cable set	59
Inlet valves and cable set	Inlet valves and cable set	61
Drain valve	Vanne de vidange	63
Drain valve and hoses	Purgeur et flexible	65
Drain valve, electrical	Drain valve, electrical	67
Steam components	Composants	69
Manual starter unit, Classic	Sans monnayeur unité de démarrage, Classic	71
Detergent container	Compartiment à savon	73
CMIS	CMIS	75



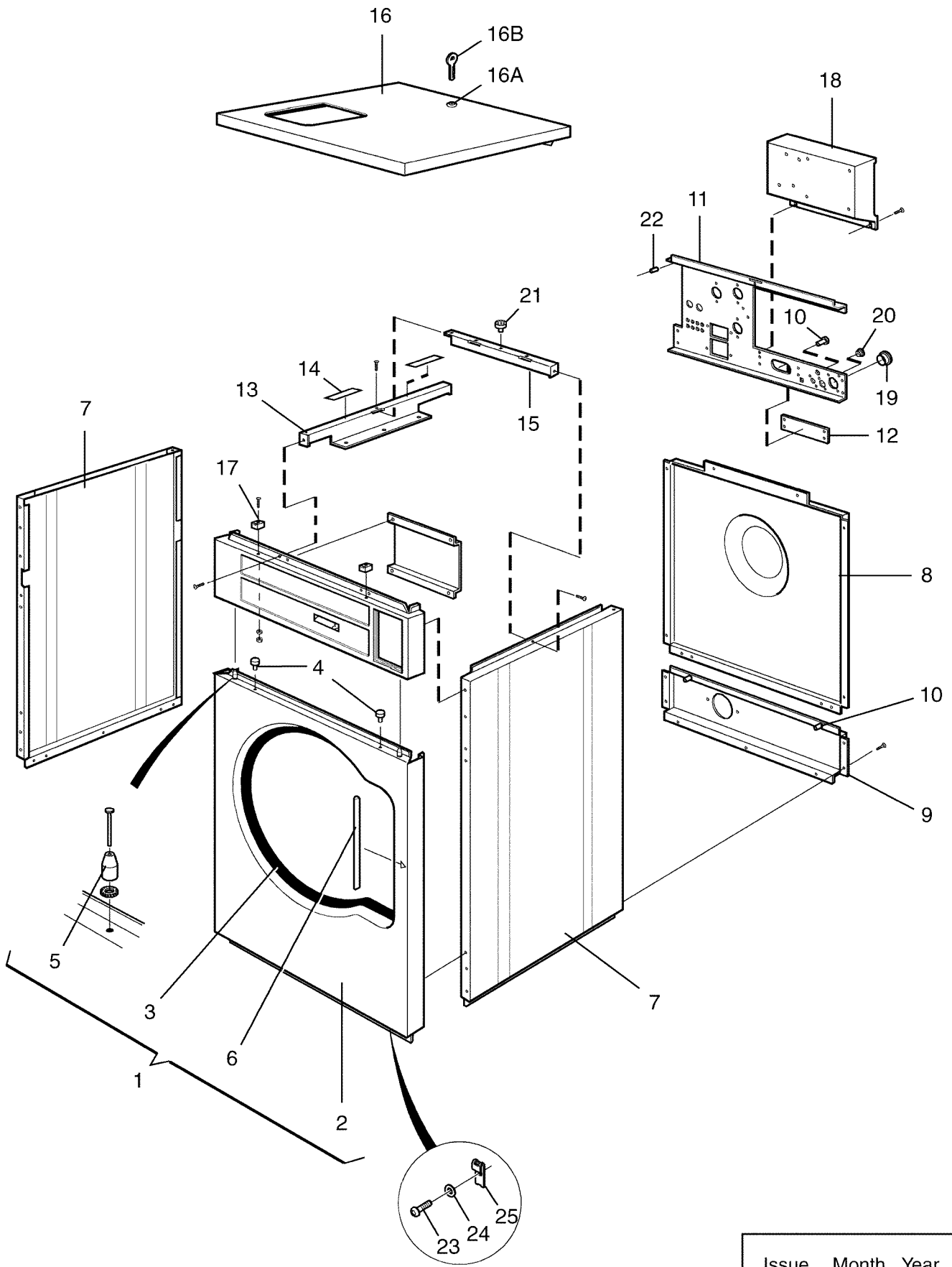
**E630,W630,W630c,W630s**

**Base and outer drum**

**Base et tambour externe**

Illustration Issue Month Year  
Schéma Issue Month Year  
**101774/4 4 2 2007**

Item Article	Qua. Qua.	Art.No Réf. article	Description	Description	Info Info	Notes Remarques
<b>1</b>	1	<b>432 4115-52</b>	Frame	Base	3	
<b>2</b>	4	<b>432 1453-01</b>	•Tensioner	•Crochet	3	
<b>3</b>	2	<b>725 2465-71</b>	•Screw	•Vis	3	M8X70
<b>4</b>	8	<b>471 7807-02</b>	•Tension plate	•Tôle de serrage	3	18x8,4x2
<b>5</b>	2	<b>732 2118-01</b>	•Locking nut	•Contre-écrou	3	M8
<b>6</b>	1	<b>432 1451-01</b>	•Bracket	•Support	3	
<b>7</b>	Rq	<b>471 9821-99</b>	Plug	Fiche	3	
<b>8</b>	3	<b>471 9821-11</b>	Heating element	Élément chauffant	1,2	3,33kW 240V
	3	<b>471 9821-15</b>	Heating element	Élément de chauffage	1,2	3.3kW 277V
	3	<b>471 9821-12</b>	Heating element	Élément chauffant	1,2	2,5kW 240V
	3	<b>471 9821-13</b>	Heating element	Élément chauffant	1,2	3,33kW 254V
	3	<b>471 9821-14</b>	Heating element	Élément chauffant	1,2	1kW 240V
	3	<b>471 9823-11</b>	Heating element	Élément chauffant	1,2	2,15kW 230V
	3	<b>471 9823-12</b>	Heating element	Élément de chauffage	1,2	2.15 kW 240V Mop
<b>9</b>	1	<b>432 2950-01</b>	Cable set	Jeu de câbles	3	Heating 400V
	1	<b>432 2951-01</b>	Cable set	Jeu de câbles	3	230V 1AC
<b>10</b>	1	<b>432 2953-02</b>	Cable set	Jeu de câbles	3	400V
<b>11A</b>	1	<b>438 4118-01</b>	Plug	Fiche	3	HW
<b>11</b>	1	<b>472 9913-22</b>	Sensor	Capteur	1,2	Complete
<b>12</b>	1	<b>471 8192-01</b>	•Bushing	•Douille	1	
<b>13</b>	1	<b>432 3082-74</b>	Cable set	Jeu de câbles	3	
<b>14</b>	1	<b>432 1654-01</b>	Cover	Couvercle	3	
<b>15</b>	1	<b>432 1653-01</b>	Clamp	Bride de fixation	3	
<b>16</b>	1	<b>471 9550-54</b>	Transformer	Transformateur	1	200V
	1	<b>471 9550-59</b>	Transformer	Transformateur	1	356V,380V,415V,440V,480V
<b>17</b>	1	<b>432 2985-01</b>	Cable set	Jeu de câbles	3	
<b>18</b>	1	<b>432 1477-01</b>	Bracket	Pupitre	3	
<b>19</b>	2	<b>432 2198-02</b>	Rubber strip	Joint caoutchouc	3	



101948

Issue	Month	Year
04	03	06



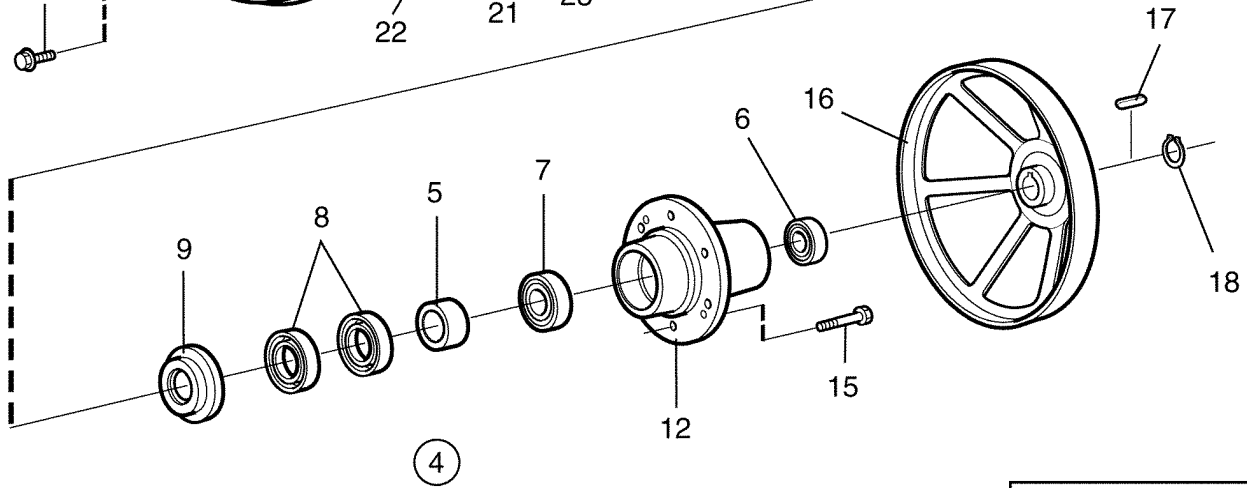
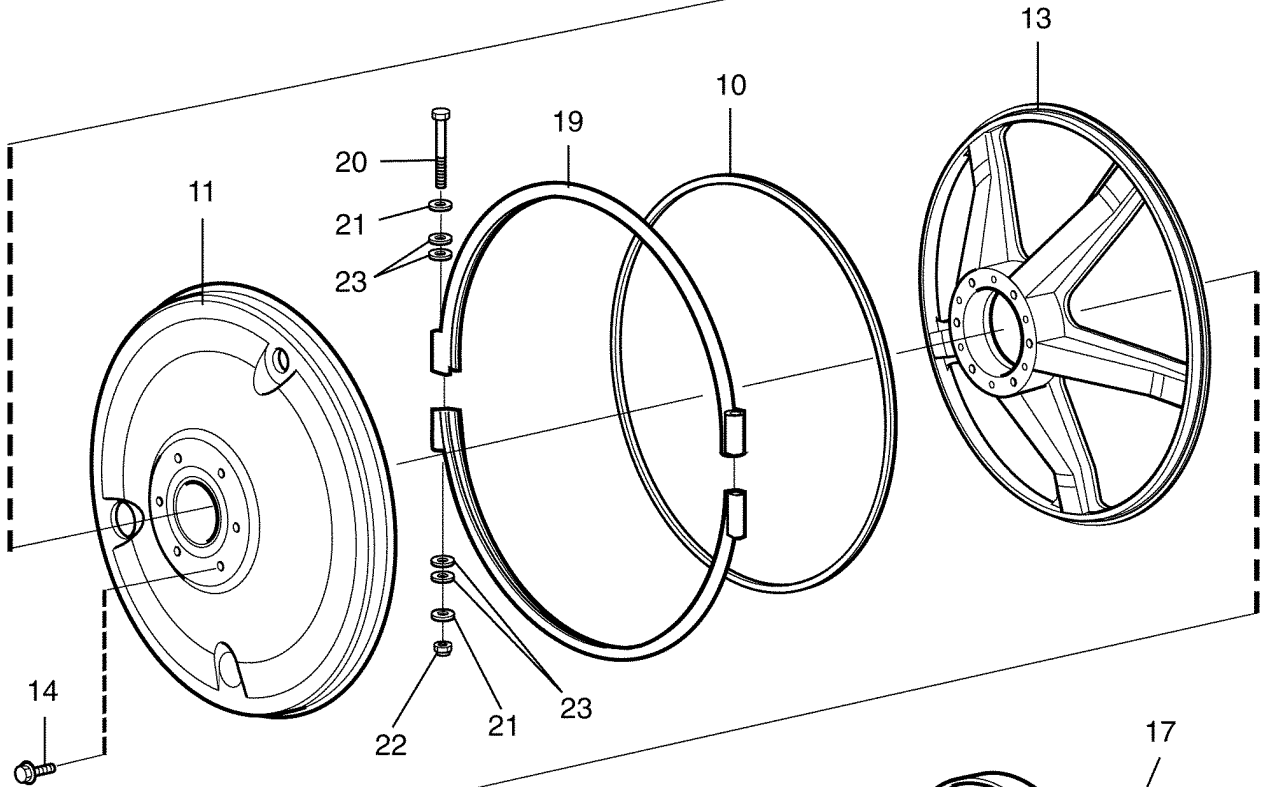
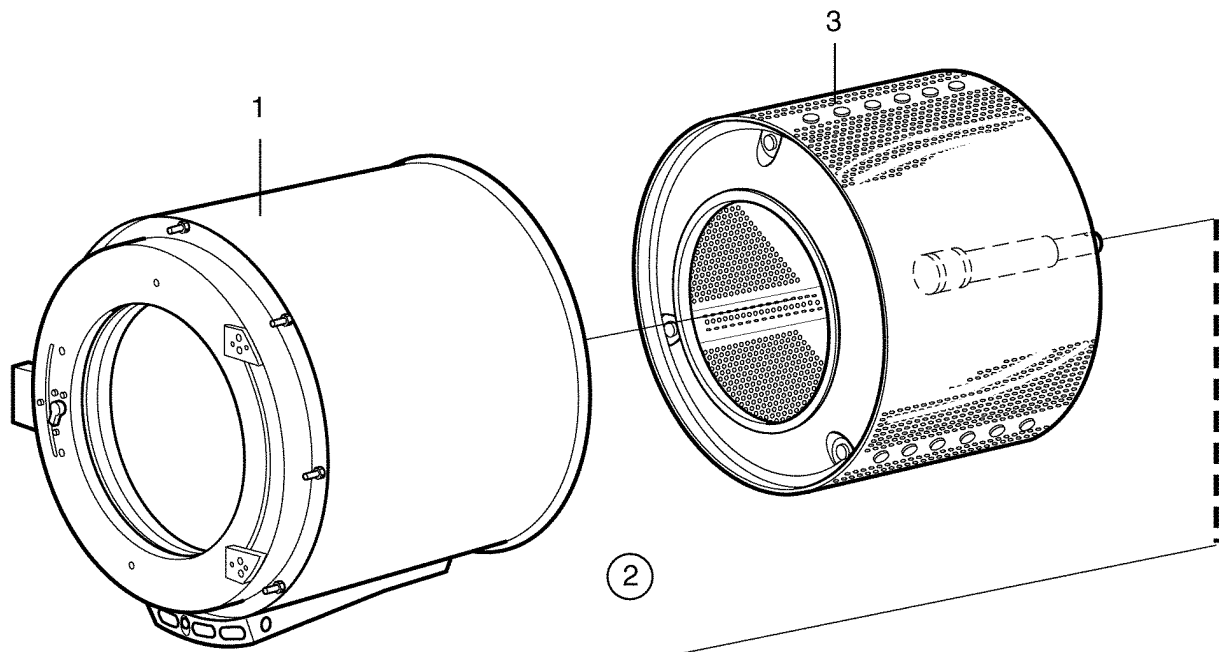
**E630,W630,W630c,W630s**

**Lining and top panel**

**Panneau frontal avec pupitre de commande**

Illustration Issue Month Year  
Schéma Issue Month Year  
**101948/4 7 4 2006**

Item Article	Qua. Qua.	Art.No Réf. article	Description	Description	Info Info	Notes Remarques
<b>1</b>	1	<b>432 2200-31</b>	Front plate	Panneau avant	3	Green Complete
	1	<b>432 2200-32</b>	Front plate	Panneau avant	3	Yellow Complete
	1	<b>432 2200-33</b>	Front plate	Panneau avant	3	White Complete
	1	<b>432 2200-34</b>	Front plate	Panneau avant	3	Red Complete
	1	<b>432 2200-35</b>	Front plate	Panneau avant	3	Almond Complete
	1	<b>432 2200-36</b>	Front plate	Panneau avant	3	Grey Complete
	1	<b>432 2200-40</b>	Front plate	Panneau avant	3	Stainless Complete
<b>2</b>	1		•Front plate	•Panneau avant	3	
<b>3</b>	1	<b>432 2182-02</b>	•Strip	•Ruban	3	
<b>4</b>	2	<b>471 8196-01</b>	•Plug	•Fiche	3	
<b>5</b>	2	<b>438 5109-02</b>	•Guide pin	•Broche de guidage	3	
<b>6</b>	1	<b>471 4672-67</b>	•Protection	•Protection	3	
<b>7</b>	2	<b>432 2041-01</b>	Side panel	Panneau latéral	3	Grey
	2	<b>432 2041-02</b>	Side panel	Panneau latéral	3	White
	2	<b>432 2041-10</b>	Side panel	Panneau latéral	3	Stainless
<b>8</b>	1	<b>432 2072-02</b>	Rear panel	Panneau arrière	3	Upper
<b>9</b>	1	<b>432 2073-02</b>	Rear panel	Panneau arrière	3	
<b>10</b>	6	<b>471 8458-02</b>	Nut	Écrou	3	M6
<b>11</b>	1	<b>432 2103-02</b>	Brace bracket	Support de montant	3	
<b>12</b>	1	<b>432 2844-01</b>	Cover plate	Couvercle	3	DS
<b>13</b>	1	<b>432 2130-06</b>	Brace	Montant	3	
	1	<b>432 2130-05</b>	Brace	Montant	3	USA
<b>14</b>	4	<b>471 7565-21</b>	Velcro tape	Bande de serrage	3	
<b>15</b>	1	<b>432 2120-01</b>	Brace	Montant	3	
<b>16</b>	1	<b>472 9915-17</b>	Top panel	Couvercle	3	
	1	<b>472 9915-67</b>	Top panel	Couvercle	3	With lock
	1	<b>472 9915-19</b>	Top panel	Couvercle	3	USA
	1	<b>472 9915-69</b>	Top panel	Couvercle	3	USA With lock
	1	<b>472 9915-18</b>	Top panel	Couvercle	3	No detergent container
	1	<b>472 9915-68</b>	Top panel	Couvercle	3	No detergent container
	1	<b>472 9915-20</b>	Top panel	Couvercle	3	USA No detergent container
	1	<b>472 9915-70</b>	Top panel	Couvercle	3	USA No detergent container
	1	<b>471 7826-10</b>	•Lock	•Serrure	1,2	
	1	<b>472 9900-99</b>	•Key	•Touche	1,2	SET
<b>17</b>	2	<b>438 5335-01</b>	Guide	Guide	3	
<b>18</b>	1	<b>432 2170-01</b>	Plate	Cloison	3	
<b>19</b>	1	<b>471 7967-02</b>	Grommet	Oeillet	3	
<b>20</b>	2	<b>471 7977-03</b>	Cover plug	Couvre-bouchon	3	
<b>21</b>	1	<b>471 8641-02</b>	Plug	Fiche	3	
<b>22</b>	2	<b>432 2180-01</b>	Spacer	Entretoise	3	
<b>23</b>	2	<b>471 8344-35</b>	Screw	Vis	3	M6X16
<b>24</b>	2	<b>735 2153-01</b>	Lock washer	Rondelle d'arrêt	3	6,4
<b>25</b>	2	<b>471 7864-01</b>	Clip	Colliers de serrage	3	M6



Issue	Month	Year
01	12	01

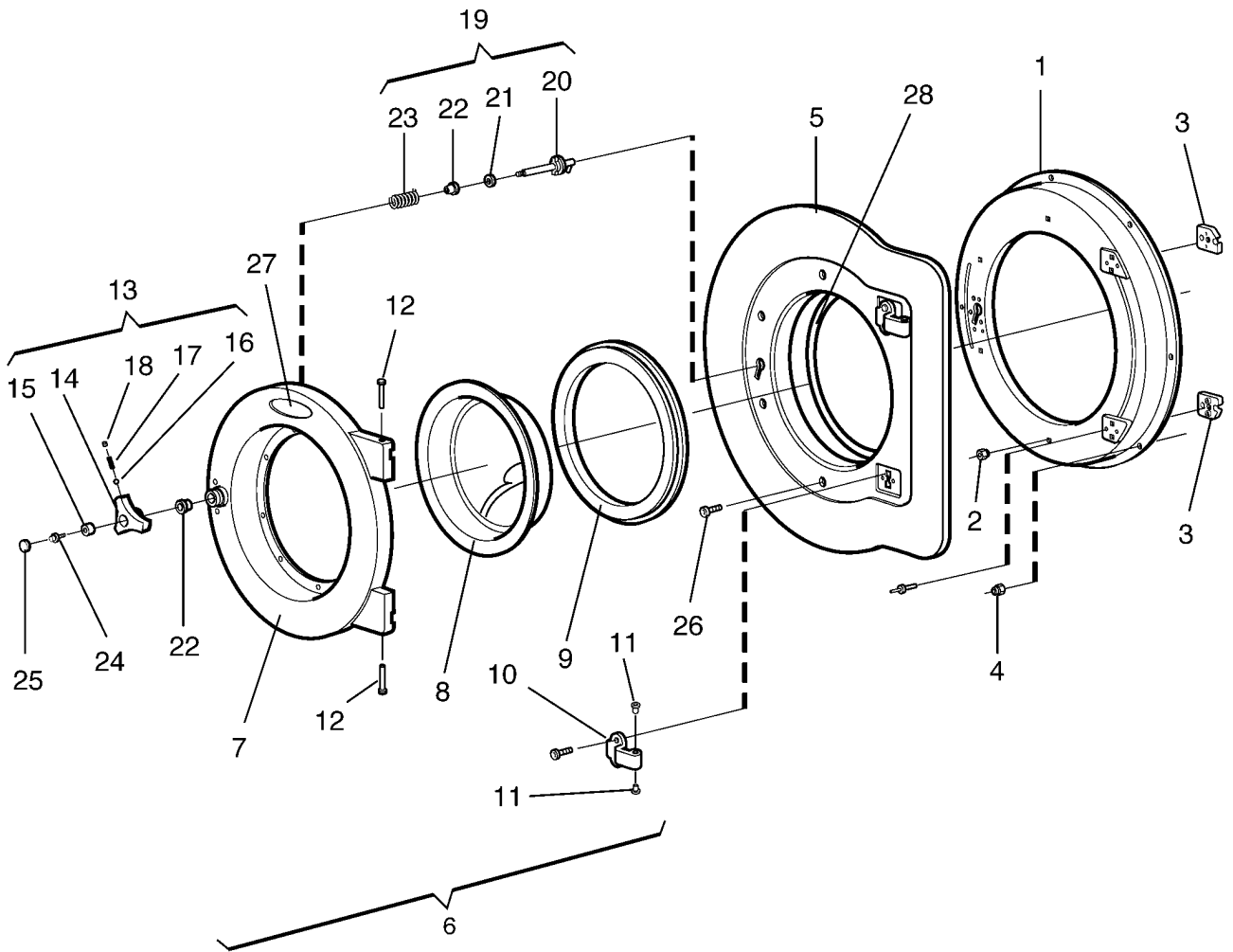
**E630,W630,W630c,W630s**

**Drum, rear gable**

**Tambour, pignon arrière**

Illustration Issue Month Year  
Schéma Issue Month Year  
**102112/1 5 1 2004**

Item Article	Qua. Qua.	Art.No Réf. article	Description	Description	Info Info	Notes Remarques
<b>1</b>	1	<b>432 1571-11</b>	Outer drum	Tambour extérieur	3	Non-heated
	1	<b>432 1571-12</b>	Outer drum	Tambour extérieur	3	El/Dual heating
	1	<b>432 1571-13</b>	Outer drum	Tambour extérieur	3	Steam
<b>2</b>	1	<b>432 1606-21</b>	Rear gable	Pignon arrière	3	Complete
	1	<b>432 1606-22</b>	Back plate	Pignon arrière	3	Complete Sluice
<b>3</b>	1	<b>432 1501-11</b>	•Inner drum	•Intérieur du tambour	1	
	1	<b>432 1501-12</b>	•Inner drum	•Intérieur du tambour	1	Sluice
<b>4</b>	1	<b>472 9913-13</b>	•Repair kit	•Kit de reconditionnement	3	
<b>5</b>	1		••Bushing	••Douille		
<b>6</b>	1		••Ball bearing	••Roulement à billes		
<b>7</b>	1		••Ball bearing	••Roulement à billes		
<b>8</b>	2		••Sealing ring	••Bague d'étanchéité		
<b>9</b>	1		••Sealing ring	••Bague d'étanchéité		
<b>10</b>	1	<b>438 8155-02</b>	••Seal	••Joint		
<b>11</b>	1	<b>432 1546-01</b>	•Lining	•Panneau de renfort	3	
<b>12</b>	1	<b>432 1561-01</b>	•Bearing housing	•Logement de palier	3	
<b>13</b>	1	<b>432 1541-01</b>	•End piece	•Pignon	3	
<b>14</b>	6	<b>471 8323-01</b>	•Screw	•Vis	3	M6X12
<b>15</b>	6	<b>471 8328-02</b>	•Screw	•Vis	3	M12X50
<b>16</b>	1	<b>432 1551-01</b>	•Pulley	•Poulie	3	
<b>17</b>	1	<b>735 9501-01</b>	•Wedge	•Cale	3	14x9x50
<b>18</b>	1	<b>735 3139-00</b>	•C-clamp	•Presse à main	3	SGA 45
<b>19</b>	2	<b>432 1566-01</b>	Tension strap	Extenseur	3	
<b>20</b>	2	<b>471 9222-59</b>	Screw	Vis	3	M8X140
<b>21</b>	4	<b>471 8502-14</b>	Washer	Rondelle	3	BRB 8,4X17
<b>22</b>	2	<b>732 2118-01</b>	Locking nut	Contre-écrou	3	M8
<b>23</b>	-					Not used



Issue	Month	Year
05	11	04

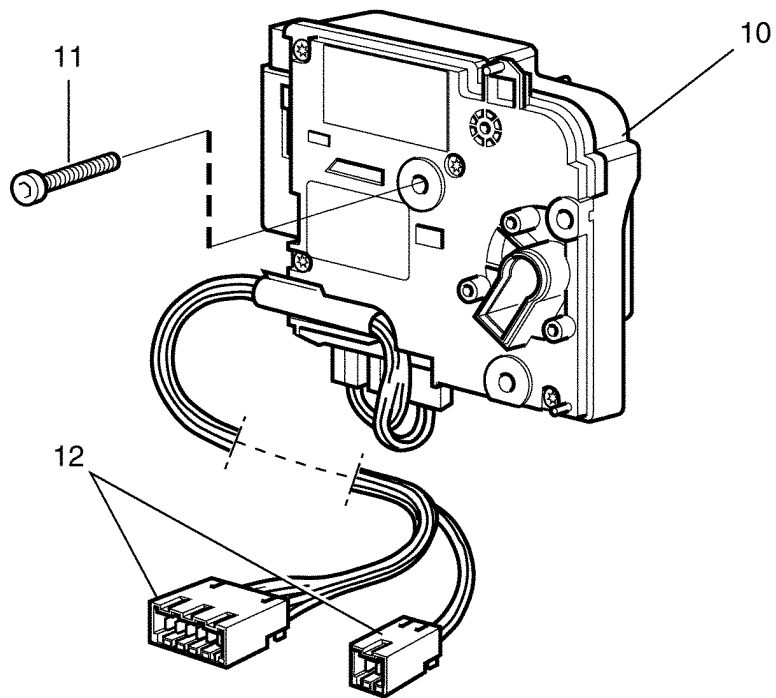
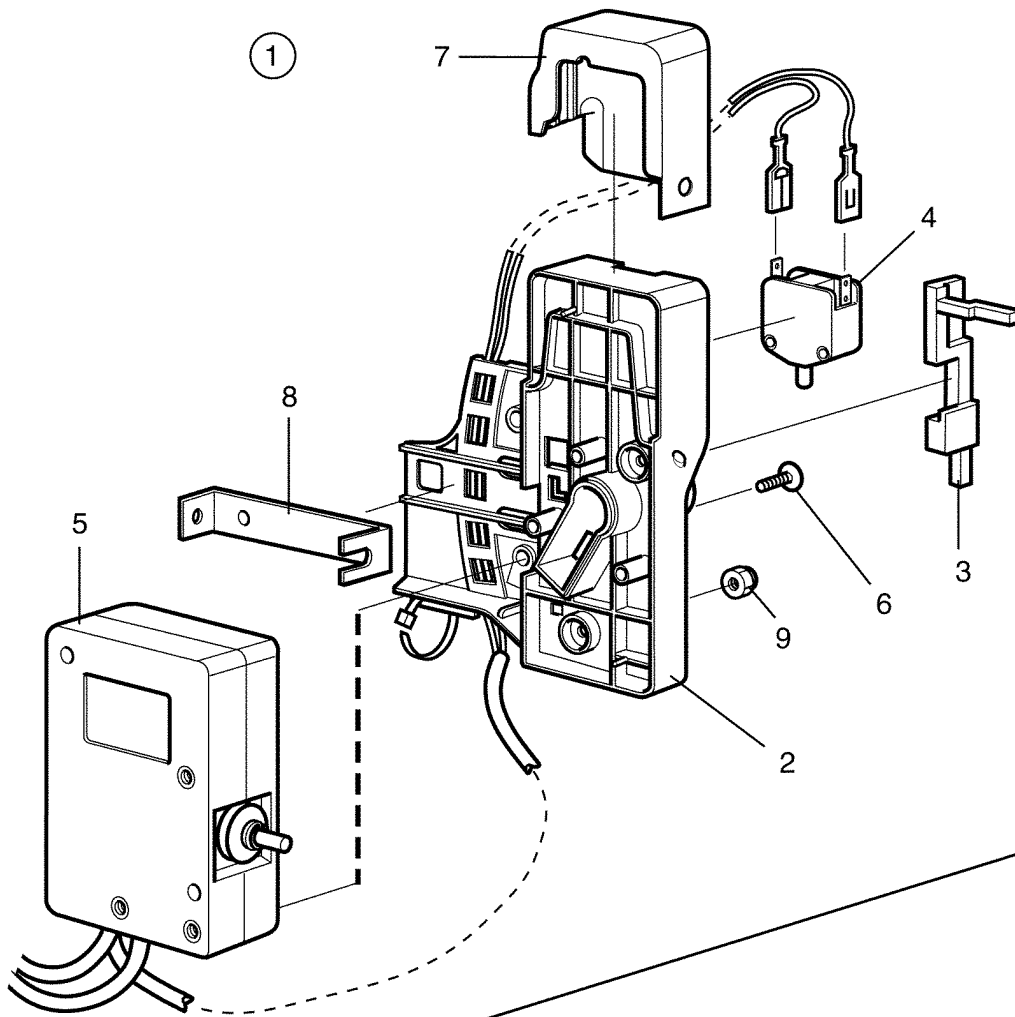
**E630,W630,W630c,W630s**

**Door and hinged joint**

**Assemblage articulé et plaque**

Illustration Issue Month Year  
Schéma Issue Month Year  
**101761/4 9 8 2009**

Item Article	Qua. Qua.	Art.No Réf. article	Description	Description	Info Info	Notes Remarques
<b>1</b>	1	<b>432 1871-01</b>	Support frame	Panneau de fixation	3	
<b>2</b>	4		•Nut	•Écrou	3	M6
<b>3</b>	2	<b>432 1951-01</b>	•Bracket	•Support de montage	3	
<b>4</b>	9	<b>471 8404-02</b>	Locking nut	Contre-écrou	3	M6
<b>5</b>	1	<b>432 1886-01</b>	Trim panel	Plaque de décoration	3	
*	1	<b>432 1886-11</b>	Trim panel	Panneau d'habillage	3	Stainless
<b>6</b>	1	<b>432 4112-01</b>	Door	Plaque	1	Complete
<b>7</b>	1	<b>432 1826-01</b>	•Door	•Plaque	3	
<b>8</b>	1	<b>432 1856-01</b>	•Door glass	•Vitre de la porte	1,2	
<b>9</b>	1	<b>432 1841-02</b>	•Door gasket	•Joint de porte	1,2	
<b>10</b>	2	<b>432 1950-02</b>	•Hinged joint	•Assemblage articulé	1	
<b>11</b>	4	<b>438 4062-01</b>	•Bushing	•Douille	3	
<b>12</b>	2	<b>432 1961-01</b>	•Pin	•Goupille	3	
<b>13</b>	1	<b>432 1955-01</b>	•Knob	•Bouton de porte	1,2	Complete
<b>14</b>	1		••Knob	••Bouton de porte		
<b>15</b>	1		••Bushing	••Douille		
<b>16</b>	3		••Ball	••Bille		
<b>17</b>	3		••Spring	••Ressort		
<b>18</b>	3	<b>728 8362-11</b>	••Screw	••Vis		
<b>19</b>	1	<b>472 9913-01</b>	•Kit, lock shaft	•Kit réparation de poignée	1,2	
<b>20</b>	1		••Lock shaft	••Axe de verrouillage		
<b>21</b>	1		••Washer	••Rondelle		
<b>22</b>	2		••Bushing	••Douille		
<b>23</b>	1		••Torsion spring	••Ressort rotatif		
<b>24</b>	1	<b>725 2366-61</b>	•Screw	•Vis	3	M6SF 6X12
<b>25</b>	1	<b>432 1956-01</b>	•Cover washer	•Rondelle protection	3	
<b>26</b>	8	<b>471 8344-36</b>	Screw	Vis	3	
<b>27</b>	1	<b>432 2620-01</b>	Sign	Signe	3	
	1	<b>432 2620-02</b>	Sign	Signe	3	Wascomat
	1	<b>432 2620-07</b>	Sign	Signe	3	
	1	<b>432 2620-04</b>	Sign	Signe	3	Zanussi
	1	<b>432 2620-08</b>	Sign	Signe	3	
* <b>28</b>	1	<b>438 8115-02</b>	Rubber strip	Joint caoutchouc	3	L=1255



Issue	Month	Year
02	08	03

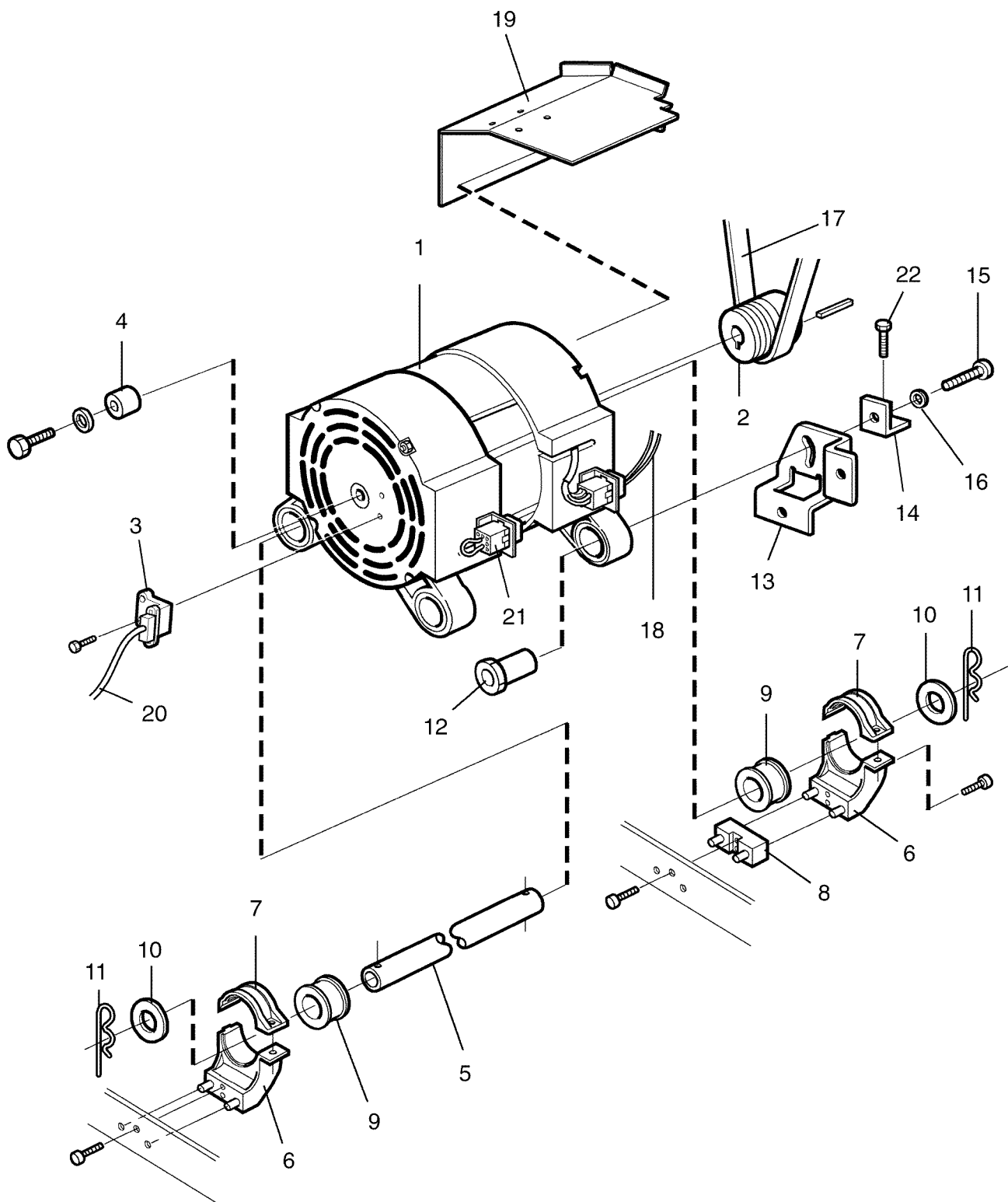
**E630,W630,W630c,W630s**

**Door lock**

**Serrure de porte**

Illustration Issue Month Year  
Schéma Issue Month Year  
**101776/2 3 10 2003**

Item Article	Qua. Qua.	Art.No Réf. article	Description	Description	Info Info	Notes Remarques
<b>1</b>	1	<b>472 9913-72</b>	Door locking device	Serrure de porte	1,2	CONVERSION KIT -595/12233
<b>2</b>	1		Lock plate	Case de serrure		
<b>3</b>	1		Catch	Dispositif blocage		
<b>4</b>	1	<b>471 9679-01</b>	Microswitch	Microrupteur	1,2	
<b>5</b>	1		Actuator	Actuator		
<b>6</b>	2		Screw	Vis		M5X16
<b>7</b>	1	<b>432 1960-01</b>	Cover	Couvercle	3	
<b>8</b>	1		Plate	Cloison		
<b>9</b>	2		Locking nut	Contre-écrou		M5
<b>10</b>	1	<b>438 9561-01</b>	Door locking device	Serrure de porte	1,2	Complete 595/12234-
<b>11</b>	3	<b>471 8342-47</b>	Screw	Vis	3	M6X25
<b>12</b>	1	<b>432 2905-01</b>	Cable set	Jeu de câbles	3	





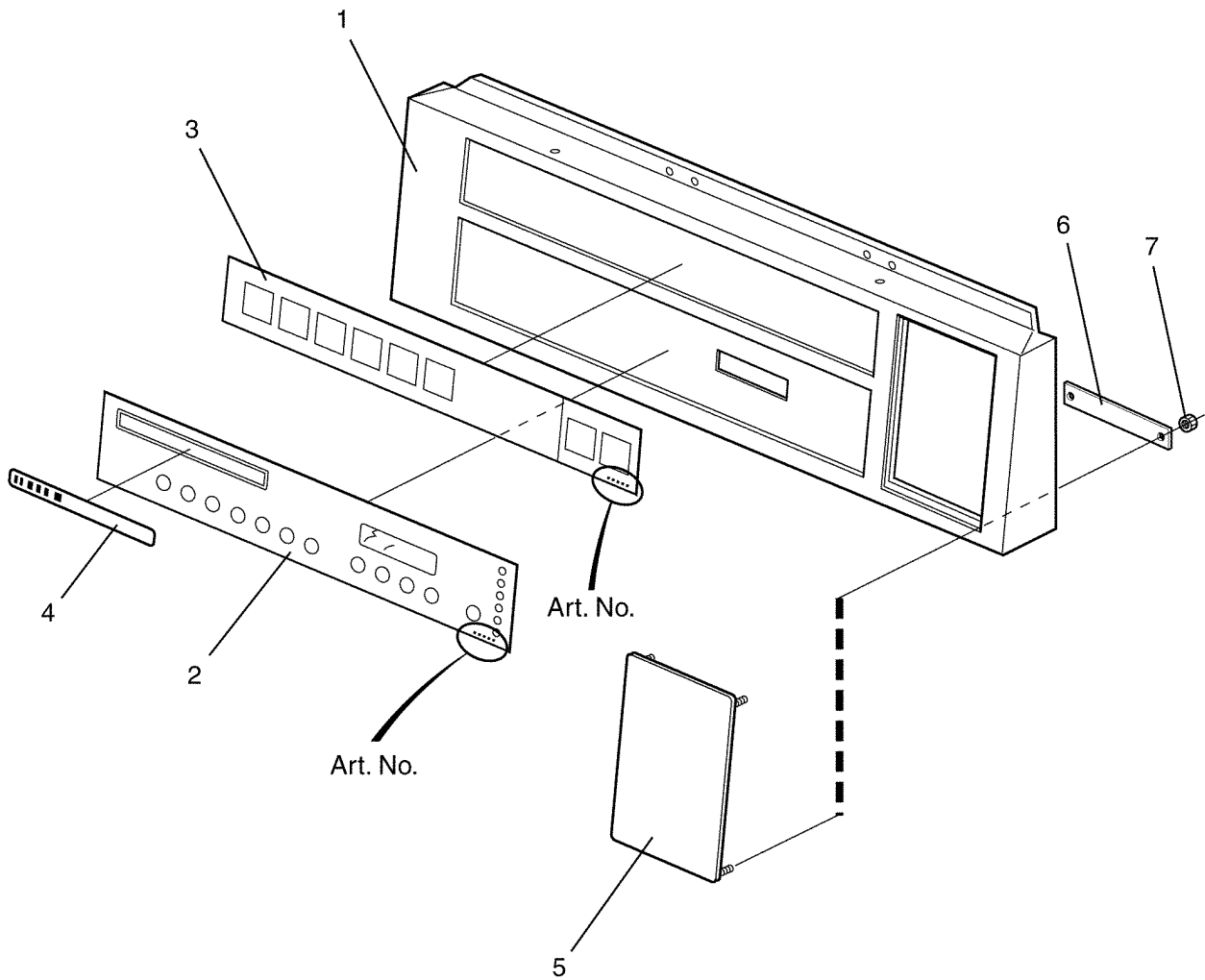
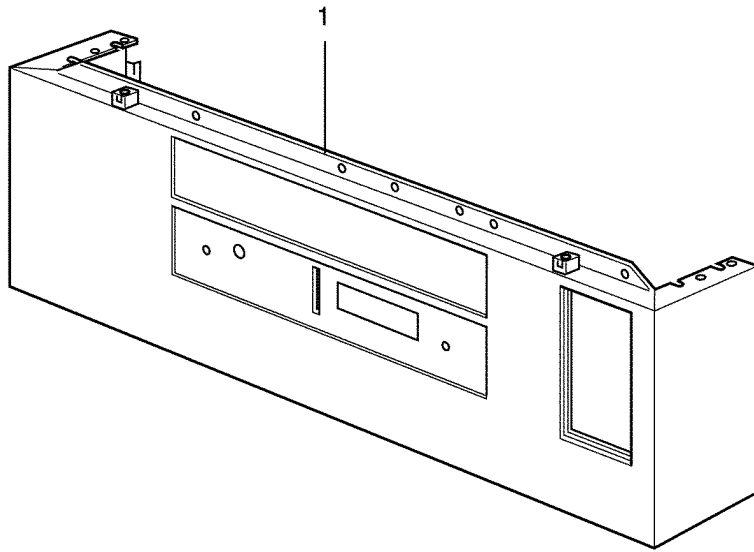
**E630,W630,W630c,W630s**

**Motor**

**Moteur**

Illustration Issue Month Year  
Schéma Issue Month Year  
**101920/6 13 6 2008**

Item Article	Qua. Qua.	Art.No Réf. article	Description	Description	Info Info	Notes Remarques
<b>1</b>	1	<b>438 9709-31</b>	Motor	Moteur	1,2	380-415V 3AC 50Hz Complete
	1	<b>438 9700-31</b>	Motor	Moteur	1,2	415-480V 3AC 60Hz Complete
	1	<b>438 9709-32</b>	Motor	Moteur	1,2	190-200V 3AC 50Hz Complete
	1	<b>438 9700-32</b>	Motor	Moteur	1,2	200-240V 3AC 60 Hz Complete
	1	<b>438 9709-33</b>	Motor	Moteur	1,2	400-415/230V 3AC 50Hz Complete
	1	<b>438 9709-34</b>	Motor	Moteur	1,2	220-240V 1AC 50Hz Complete
	1	<b>438 9700-37</b>	Motor	Moteur	1,2	208-240V 1AC 60Hz Complete
<b>2</b>	1	<b>432 1210-06</b>	•Pulley	•Poulie	3	50Hz
	1	<b>432 1210-07</b>	•Pulley	•Poulie	3	60Hz
<b>3</b>	1	<b>472 9913-44</b>	•Sensor	•Capteur	1,2	
<b>4</b>	1	<b>432 3905-01</b>	•Magnet	•Aimant	3	
<b>5</b>	1	<b>438 0016-11</b>	•Pipe	•Tube	3	
<b>6</b>	2	<b>432 1463-01</b>	Bracket	Support de montage	3	
<b>7</b>	2	<b>432 1472-01</b>	Clamp	Bride de fixation	3	
<b>8</b>	-					Not used
<b>9</b>	2	<b>438 0013-01</b>	Damper	Amortisseur	3	
<b>10</b>	2	<b>471 8502-24</b>	Washer	Rondelle	3	12x35
<b>11</b>	2	<b>471 7867-01</b>	Pin	Goupille/broche	3	
<b>12</b>	1	<b>432 1465-01</b>	Flange bushing	Douille à bride	3	
<b>13</b>	1		Belt tensioner	Tendeur de courroie		
<b>14</b>	1	<b>432 1455-01</b>	Washer	Rondelle	3	
<b>15</b>	1	<b>725 2538-51</b>	Screw	Vis	3	M12X35
<b>16</b>	1	<b>471 8502-10</b>	Washer	Rondelle	3	12x35
<b>17</b>	1	<b>471 7711-08</b>	Ribbed belt	Courroie poly V	1,2	
<b>18</b>	1	<b>432 2992-01</b>	Cable set	Jeu de câbles	3	
<b>19</b>	1	<b>472 9913-87</b>	Drip guard	Lèche-goutte	3	COMPL.
<b>20</b>	1	<b>432 3083-36</b>	Cable set	Jeu de câbles	3	-595/16652
	1	<b>432 3093-36</b>	Cable set	Jeu de câbles	3	595/16653-
<b>21</b>	1	<b>471 8748-01</b>	Cables	Câble	3	230V
	1	<b>471 8748-03</b>	Cables	Câble	3	230V/400V
<b>22</b>	1	<b>471 8319-02</b>	Screw	Vis	3	M8X50



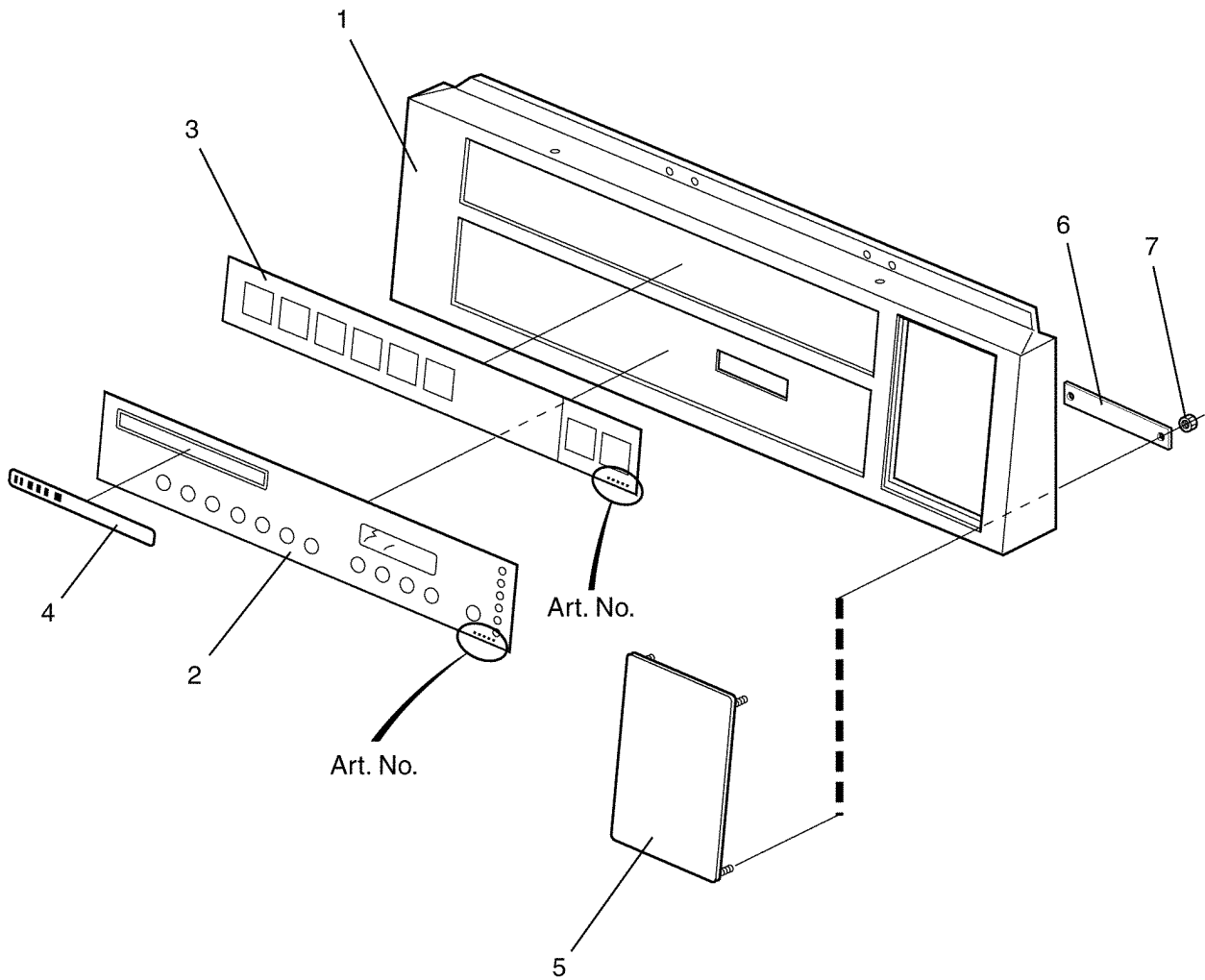
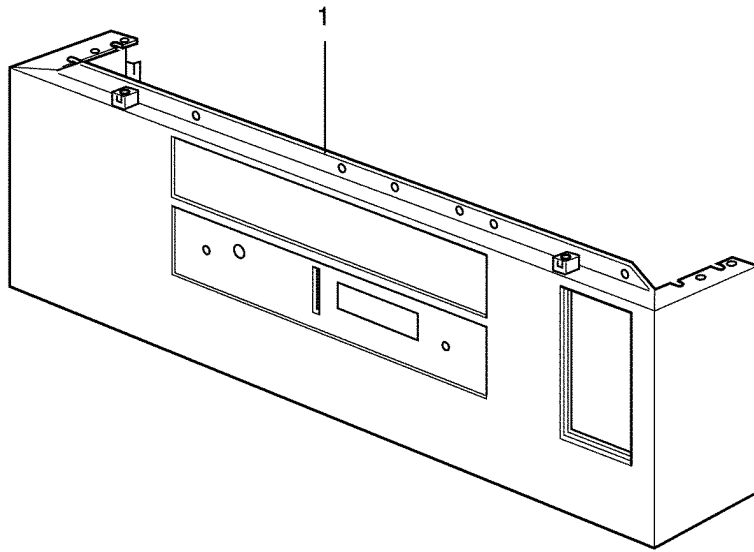
**E630,W630,W630c,W630s**

**Control panel Exacta**

**Pupitre de commande Exacta**

Illustration Issue Month Year  
Schéma Issue Month Year  
**101769/3 4 5 2004**

Item Article	Qua. Qua.	Art.No Réf. article	Description	Description	Info Info	Notes Remarques
<b>1</b>	1	<b>432 2011-02</b>	Front panel	Panneau avant	3	
	1	<b>432 2013-02</b>	Front panel	Panneau avant	3	USA
<b>2</b>	1	<b>432 2720-01</b>	Panel sign	Voyant du tableau	1	Program 2A01, 2G41
	1	<b>432 2720-02</b>	Panel sign	Voyant du tableau	1	Program 2H11
	1	<b>432 2720-03</b>	Panel sign	Voyant du tableau	1	Program 2G01
	1	<b>432 2720-04</b>	Panel sign	Voyant du tableau	1	Program 2W01, 2H01, 2H02, 2M11, 2F01, 2F02
	1	<b>432 2720-11</b>	Panel sign	Voyant du tableau	1	Program 2L31
	1	<b>432 2720-06</b>	Panel sign	Voyant du tableau	1	Program 2L01, 2L02
	1	<b>432 2720-05</b>	Panel sign	Voyant du tableau	1	Program 2L41
	1	<b>432 2720-14</b>	Panel sign	Voyant du tableau	1	Program 2L51
	1	<b>432 2720-08</b>	Panel sign	Voyant du tableau	1	Program 2M01
	1	<b>432 2720-09</b>	Panel sign	Voyant du tableau	1	Program 2H21
	1	<b>432 2720-10</b>	Panel sign	Voyant du tableau	1	Program 2L11, 2L12
	1	<b>432 2720-12</b>	Panel sign	Voyant du tableau	1	Program 2R01
	1	<b>432 2720-15</b>	Panel sign	Voyant du tableau	1	Program 2S01
	1	<b>432 2720-13</b>	Panel sign	Voyant du tableau	1	Program 2A11
<b>3</b>	1	<b>432 2649-03</b>	Instruction plate	Plaque instruction utilisation	3	Program 2G41 Japanese
	1	<b>432 2649-04</b>	Instruction plate	Plaque instruction utilisation	3	Program 2W41 Japanese
	1	<b>432 2649-05</b>	Instruction plate	Plaque instruction utilisation	3	Program 2L41 Japanese
	1	<b>432 2649-06</b>	Instruction plate	Plaque instruction utilisation	3	Program 2L51 Japanese
	1	<b>432 2649-07</b>	Instruction plate	Plaque instruction utilisation	3	Program 2H42 Japanese
	1	<b>432 2649-20</b>	Instruction plate	Plaque instruction utilisation	3	Program 2A01 English
	1	<b>432 2649-21</b>	Instruction plate	Plaque instruction utilisation	3	Program 2M01 French
	1	<b>432 2649-22</b>	Instruction plate	Plaque instruction utilisation	3	Program 2M11, Mop Danish
	1	<b>432 2649-23</b>	Instruction plate	Plaque instruction utilisation	1	Program 2H12 Swedish
	1	<b>432 2649-24</b>	Instruction plate	Plaque instruction utilisation	1	Program 2M12 Swedish
	1	<b>432 2649-25</b>	Instruction plate	Plaque instruction utilisation	3	Program 2C01 Spanish
	1	<b>432 2649-26</b>	Instruction plate	Plaque instruction utilisation	3	Program 2A01 Danish
	1	<b>432 2649-27</b>	Instruction plate	Plaque instruction utilisation	3	Program 2A01 Swedish
	1	<b>432 2649-28</b>	Instruction plate	Plaque instruction utilisation	3	Program 2L01 English
	1	<b>432 2650-02</b>	Instruction plate	Plaque instruction utilisation	3	Program 2A01 Danish
	1	<b>432 2650-03</b>	Instruction plate	Plaque instruction utilisation	3	Program 2H11 Swedish
	1	<b>432 2650-04</b>	Instruction plate	Plaque instruction utilisation	3	Program 2W01, Aqua Clean Swedish
	1	<b>432 2650-05</b>	Instruction plate	Plaque instruction utilisation	3	Program 2L41 Japanese
	1	<b>432 2650-06</b>	Instruction plate	Plaque instruction utilisation	3	Program 2S01, Selecta USA
	1	<b>432 2650-07</b>	Instruction plate	Plaque instruction utilisation	3	Program 2G01 English
	1	<b>432 2650-08</b>	Instruction plate	Plaque instruction utilisation	3	Program 2G01 German
	1	<b>432 2650-09</b>	Instruction plate	Plaque instruction utilisation	3	Program 2G01 French
	1	<b>432 2650-10</b>	Instruction plate	Plaque instruction utilisation	3	Program 2G01 Swedish
	1	<b>432 2650-11</b>	Instruction plate	Plaque instruction utilisation	3	Program 2L31, Emerald USA
	1	<b>432 2650-12</b>	Instruction plate	Plaque instruction utilisation	3	Program 2L01 English
	1	<b>432 2650-13</b>	Instruction plate	Plaque instruction utilisation	3	Program 2M01, Mop English
	1	<b>432 2650-14</b>	Instruction plate	Plaque instruction utilisation	3	Program 2W01, Aqua Clean English
	1	<b>432 2650-16</b>	Instruction plate	Plaque instruction utilisation	3	Program 2H21, Hygienic Danish
	1	<b>432 2650-17</b>	Instruction plate	Plaque instruction utilisation	3	Program 2L11, Thermoboost German
	1	<b>432 2650-18</b>	Instruction plate	Plaque instruction utilisation	3	Program 2L12, Laundrette German
	1	<b>432 2650-19</b>	Instruction plate	Plaque instruction utilisation	3	Program 2H02, Selecta Danish
	1	<b>432 2650-20</b>	Instruction plate	Plaque instruction utilisation	3	Program 2H01, Hospital English
	1	<b>432 2650-22</b>	Instruction plate	Plaque instruction utilisation	3	Program 2A01, W3130 Swedish
	1	<b>432 2650-25</b>	Instruction plate	Plaque instruction utilisation	3	Program 2M11, Mop Swedish
	1	<b>432 2650-26</b>	Instruction plate	Plaque instruction utilisation	3	Program 2F01, Farm Swedish



Issue	Month	Year
03	09	03

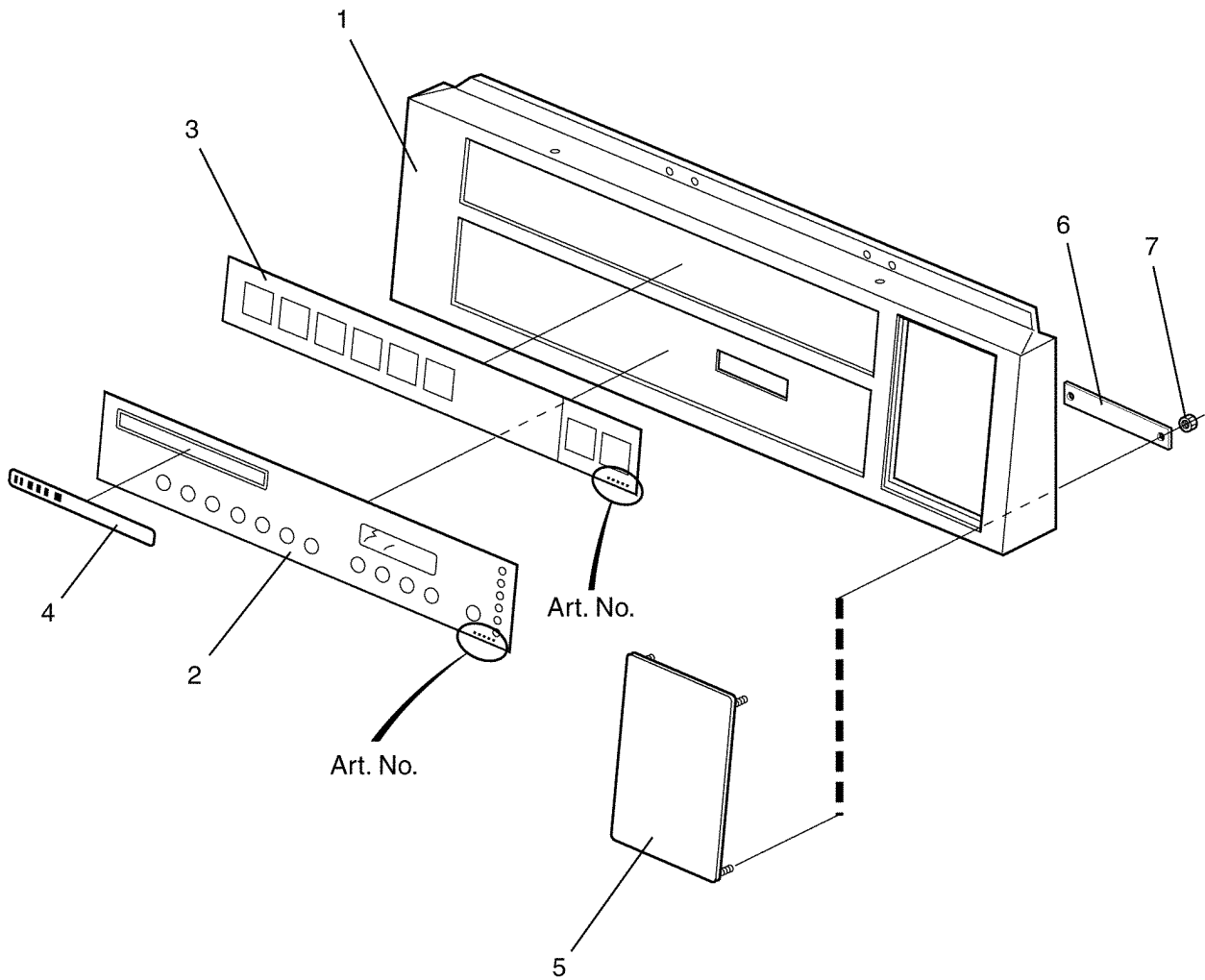
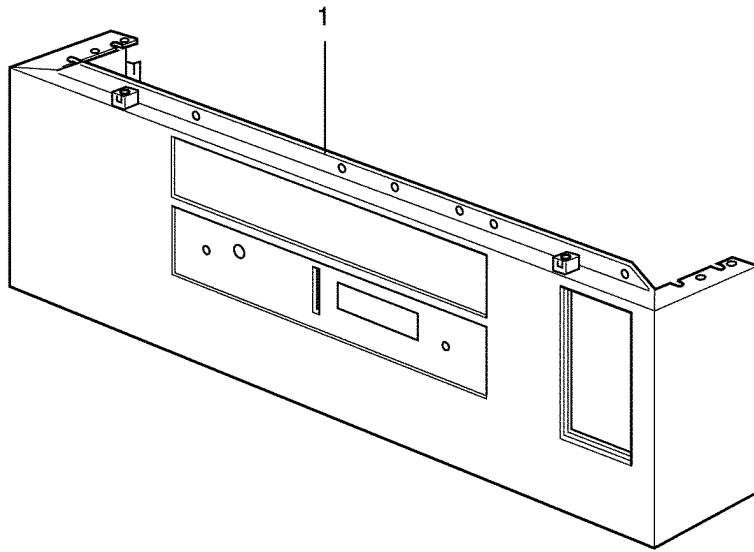
**E630,W630,W630c,W630s**

**Control panel Exacta**

**Pupitre de commande Exacta**

Illustration    Issue    Month    Year  
Schéma        Issue    Month    Year  
**101769/3    4        5        2004**

Item Article	Qua. Qua.	Art.No Réf. article	Description	Description	Info Info	Notes Remarques
	1	<b>432 2650-27</b>	Instruction plate	Plaque instruction utilisation	3	Program 2R01, QSR Swedish
	1	<b>432 2650-28</b>	Instruction plate	Plaque instruction utilisation	3	Program 2F01, Farm English
	1	<b>432 2650-29</b>	Instruction plate	Plaque instruction utilisation	3	Program 2R01, QSR English
	1	<b>432 2650-30</b>	Instruction plate	Plaque instruction utilisation	3	Program 2F01, Farm German
	1	<b>432 2650-31</b>	Instruction plate	Plaque instruction utilisation	3	Program 2F02, Westfalla German
	1	<b>432 2650-32</b>	Instruction plate	Plaque instruction utilisation	3	Program 2L01 German
	1	<b>432 2650-33</b>	Instruction plate	Plaque instruction utilisation	3	Program 2M01, Mop German
	1	<b>432 2650-34</b>	Instruction plate	Plaque instruction utilisation	3	Program 2R01, QSR German
	1	<b>432 2650-35</b>	Instruction plate	Plaque instruction utilisation	3	Program 2W01, Aqua Clean German
	1	<b>432 2650-36</b>	Instruction plate	Plaque instruction utilisation	3	Program 2H21, Hygienic, Nyborg English
	1	<b>432 2650-37</b>	Instruction plate	Plaque instruction utilisation	3	Program 2L12, Nyborg English
	1	<b>432 2650-38</b>	Instruction plate	Plaque instruction utilisation	3	Program 2F01, Farm French
	1	<b>432 2650-39</b>	Instruction plate	Plaque instruction utilisation	3	Program 2L01 French
	1	<b>432 2650-40</b>	Instruction plate	Plaque instruction utilisation	3	Program 2L02, Mench French
	1	<b>432 2650-41</b>	Instruction plate	Plaque instruction utilisation	3	Program 2R01, QSR French
	1	<b>432 2650-42</b>	Instruction plate	Plaque instruction utilisation	3	Program 2W01, Aqua Clean French
	1	<b>432 2650-43</b>	Instruction plate	Plaque instruction utilisation	3	Program 2L12 French
	1	<b>432 2650-44</b>	Instruction plate	Plaque instruction utilisation	3	Program 2F01, Farm Italian
	1	<b>432 2650-45</b>	Instruction plate	Plaque instruction utilisation	3	Program 2G01 Italian
	1	<b>432 2650-46</b>	Instruction plate	Plaque instruction utilisation	3	Program 2R01, QSR Italian
	1	<b>432 2651-51</b>	Instruction plate	Plaque instruction utilisation	3	Program 2L01 Italian Zanussi
	1	<b>432 2650-47</b>	Instruction plate	Plaque instruction utilisation	3	Program 2L12 Italian
	1	<b>432 2650-48</b>	Instruction plate	Plaque instruction utilisation	3	Program 2W01, Aqua Clean Italian
	1	<b>432 2650-49</b>	Instruction plate	Plaque instruction utilisation	3	Program 2F01, Farm Spanish
	1	<b>432 2650-50</b>	Instruction plate	Plaque instruction utilisation	3	Program 2G01 Spanish
	1	<b>432 2650-51</b>	Instruction plate	Plaque instruction utilisation	3	Program 2L01 Spanish
	1	<b>432 2650-52</b>	Instruction plate	Plaque instruction utilisation	3	Program 2R01, QSR Spanish
	1	<b>432 2650-53</b>	Instruction plate	Plaque instruction utilisation	3	Program 2W01, Aqua Clean Spanish
	1	<b>432 2650-54</b>	Instruction plate	Plaque instruction utilisation	3	Program 2L12 Spanish
	1	<b>432 2650-55</b>	Instruction plate	Plaque instruction utilisation	3	Program 2F01, Farm Dutch
	1	<b>432 2650-56</b>	Instruction plate	Plaque instruction utilisation	3	Program 2G01 Dutch
	1	<b>432 2650-57</b>	Instruction plate	Plaque instruction utilisation	3	Program 2L01 Dutch
	1	<b>432 2650-58</b>	Instruction plate	Plaque instruction utilisation	3	Program 2L02, Mench Dutch
	1	<b>432 2650-59</b>	Instruction plate	Plaque instruction utilisation	3	Program 2R01, QSR Dutch
	1	<b>432 2650-60</b>	Instruction plate	Plaque instruction utilisation	3	Program 2W01, Aqua Clean Dutch
	1	<b>432 2650-61</b>	Instruction plate	Plaque instruction utilisation	3	Program 2L12, Nyborg Dutch
	1	<b>432 2650-62</b>	Instruction plate	Plaque instruction utilisation	3	Program 2F01, Farm Danish
	1	<b>432 2650-63</b>	Instruction plate	Plaque instruction utilisation	3	Program 2G01 Danish
	1	<b>432 2650-64</b>	Instruction plate	Plaque instruction utilisation	3	Program 2L01 Danish
	1	<b>432 2650-65</b>	Instruction plate	Plaque instruction utilisation	3	Program 2R01, QSR Danish
	1	<b>432 2650-66</b>	Instruction plate	Plaque instruction utilisation	3	Program 2W01, Aqua Clean Danish
	1	<b>432 2650-67</b>	Instruction plate	Plaque instruction utilisation	3	Program 2A01 Finnish
	1	<b>432 2650-68</b>	Instruction plate	Plaque instruction utilisation	3	Program 2F01, Farm Finnish
	1	<b>432 2650-69</b>	Instruction plate	Plaque instruction utilisation	3	Program 2G01 Finnish
	1	<b>432 2650-70</b>	Instruction plate	Plaque instruction utilisation	3	Program 2L01 Finnish
	1	<b>432 2650-71</b>	Instruction plate	Plaque instruction utilisation	3	Program 2M11, Mop Finnish
	1	<b>432 2650-72</b>	Instruction plate	Plaque instruction utilisation	3	Program R01 Finnish
	1	<b>432 2650-73</b>	Instruction plate	Plaque instruction utilisation	3	Program 2W01, Aqua Clean Finnish
	1	<b>432 2650-74</b>	Instruction plate	Plaque instruction utilisation	3	Program 2A01 Norwegian



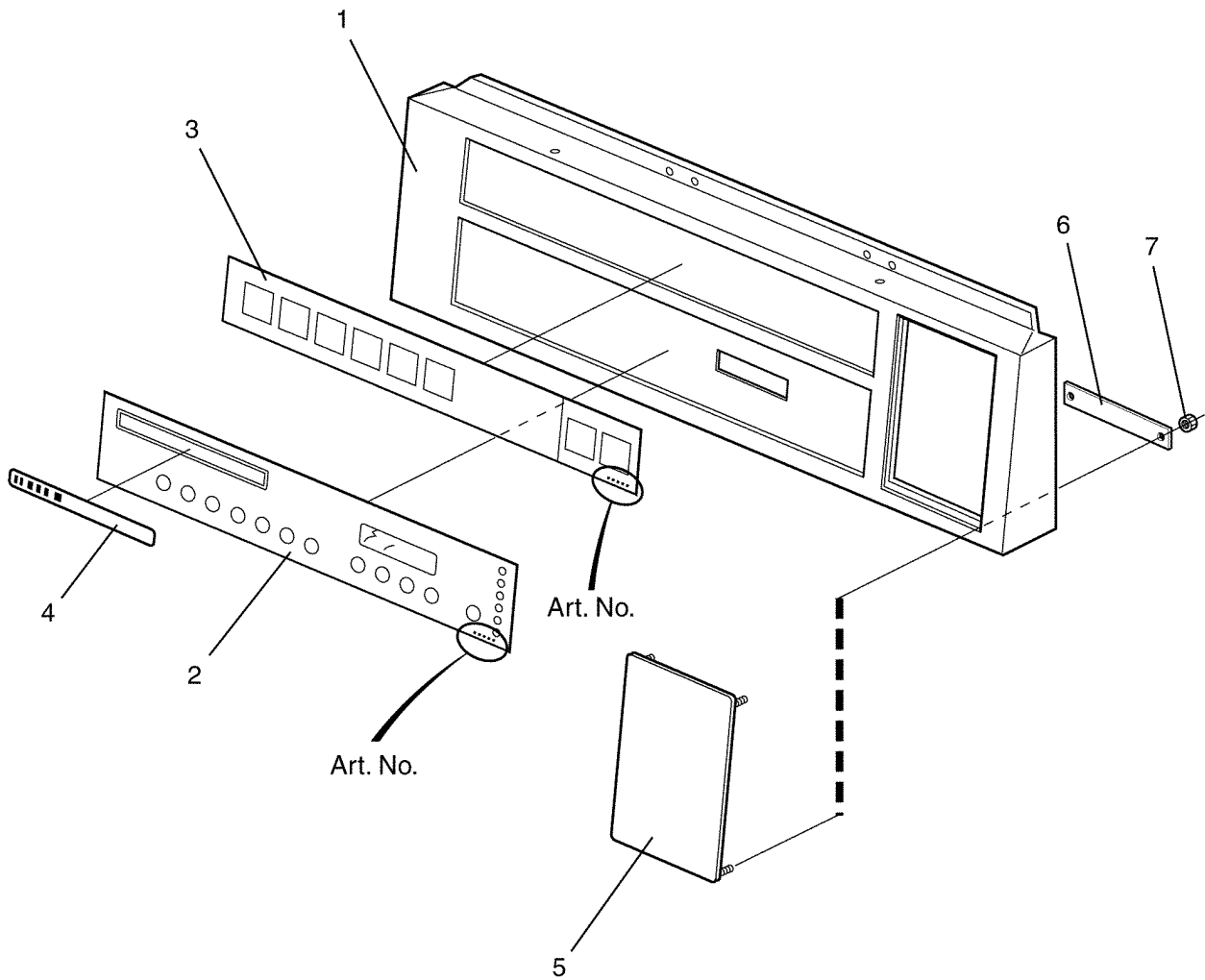
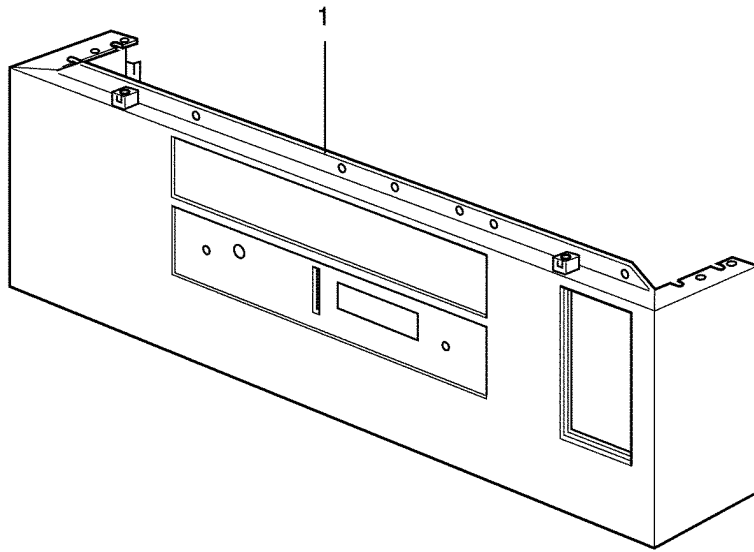
**E630,W630,W630c,W630s**

**Control panel Exacta**

**Pupitre de commande Exacta**

Illustration    Issue    Month    Year  
Schéma        Issue    Month    Year  
**101769/3    4        5        2004**

Item Article	Qua. Qua.	Art.No Réf. article	Description	Description	Info Info	Notes Remarques
	1	<b>432 2650-75</b>	Instruction plate	Plaque instruction utilisation	3	Program 2F01, Farm Norwegian
	1	<b>432 2650-76</b>	Instruction plate	Plaque instruction utilisation	3	Program 2G01 Norwegian
	1	<b>432 2650-77</b>	Instruction plate	Plaque instruction utilisation	3	Program 2L01 Norwegian
	1	<b>432 2650-78</b>	Instruction plate	Plaque instruction utilisation	3	Program 2M11, Mop Norwegian
	1	<b>432 2650-79</b>	Instruction plate	Plaque instruction utilisation	3	Program 2R01, QSR Norwegian
	1	<b>432 2650-80</b>	Instruction plate	Plaque instruction utilisation	3	Program 2W01, Aqua Clean Norwegian
	1	<b>432 2650-81</b>	Instruction plate	Plaque instruction utilisation	3	Program 2L12, Nyborg Norwegian
	1	<b>432 2650-82</b>	Instruction plate	Plaque instruction utilisation	3	Program 2F01 Polish
	1	<b>432 2650-83</b>	Instruction plate	Plaque instruction utilisation	3	Program 2G01 Polish
	1	<b>432 2650-84</b>	Instruction plate	Plaque instruction utilisation	3	Program 2L01 Polish
	1	<b>432 2650-85</b>	Instruction plate	Plaque instruction utilisation	3	Program 2R01, QSR Polish
	1	<b>432 2650-86</b>	Instruction plate	Plaque instruction utilisation	3	Program 2W01, Aqua Clean Polish
	1	<b>432 2650-87</b>	Instruction plate	Plaque instruction utilisation	3	Program 2L12, Nyborg Polish
	1	<b>432 2650-88</b>	Instruction plate	Plaque instruction utilisation	3	Program 2L31, Emerald Spanish
	1	<b>432 2650-89</b>	Instruction plate	Plaque instruction utilisation	3	Program 2S01, Selecta Spanish
	1	<b>432 2650-90</b>	Instruction plate	Plaque instruction utilisation	3	Program 2L31, Emerald French
	1	<b>432 2650-91</b>	Instruction plate	Plaque instruction utilisation	3	Program 2S01, Selecta French
	1	<b>432 2650-92</b>	Instruction plate	Plaque instruction utilisation	3	Program 2L01 Italian, English
	1	<b>432 2650-93</b>	Instruction plate	Plaque instruction utilisation	3	Program 2A11 Mats/heavy laundry, Swedish
	1	<b>432 2650-94</b>	Instruction plate	Plaque instruction utilisation	3	Program 2A11 Mats/heavy laundry, Danish
	1	<b>432 2650-95</b>	Instruction plate	Plaque instruction utilisation	3	Program 2A11 Mats/heavy laundry, Norwegian
	1	<b>432 2650-96</b>	Instruction plate	Plaque instruction utilisation	3	Program 2A11 Mats/heavy laundry, Finnish
	1	<b>432 2650-97</b>	Instruction plate	Plaque instruction utilisation	3	Program 2F02, Westfalla Swedish
	1	<b>432 2650-98</b>	Instruction plate	Plaque instruction utilisation	3	Program 2H11 Finnish/Swedish
	1	<b>432 2652-05</b>	Instruction plate	Plaque instruction utilisation	3	Program 2A01, W3180 Swedish
	1	<b>432 2652-06</b>	Instruction plate	Plaque instruction utilisation	3	Program 2G01 Swedish
	1	<b>432 2652-07</b>	Instruction plate	Plaque instruction utilisation	3	Program 2G01 English
	1	<b>432 2652-08</b>	Instruction plate	Plaque instruction utilisation	3	Program 2L01 English
	1	<b>432 2652-09</b>	Instruction plate	Plaque instruction utilisation	3	Program 2G01 German
	1	<b>432 2652-10</b>	Instruction plate	Plaque instruction utilisation	3	Program 2L01 German
	1	<b>432 2652-11</b>	Instruction plate	Plaque instruction utilisation	3	Program 2L12 German
	1	<b>432 2652-12</b>	Instruction plate	Plaque instruction utilisation	3	Program 2G01 French
	1	<b>432 2652-13</b>	Instruction plate	Plaque instruction utilisation	3	Program 2L01 French
	1	<b>432 2652-14</b>	Instruction plate	Plaque instruction utilisation	3	Program 2L12 French
	1	<b>432 2652-15</b>	Instruction plate	Plaque instruction utilisation	3	Program 2G01 Italian
	1	<b>432 2652-16</b>	Instruction plate	Plaque instruction utilisation	3	Program 2L12 Italian
	1	<b>432 2652-17</b>	Instruction plate	Plaque instruction utilisation	3	Program 2G01 Spanish
	1	<b>432 2652-18</b>	Instruction plate	Plaque instruction utilisation	3	Program 2L01 Spanish
	1	<b>432 2652-19</b>	Instruction plate	Plaque instruction utilisation	3	Program 2L12 Spanish
	1	<b>432 2652-20</b>	Instruction plate	Plaque instruction utilisation	3	Program 2G01 Dutch
	1	<b>432 2652-21</b>	Instruction plate	Plaque instruction utilisation	3	Program 2L01 Dutch
	1	<b>432 2652-22</b>	Instruction plate	Plaque instruction utilisation	3	Program 2L12 Dutch
	1	<b>432 2652-23</b>	Instruction plate	Plaque instruction utilisation	3	Program 2A01 Danish





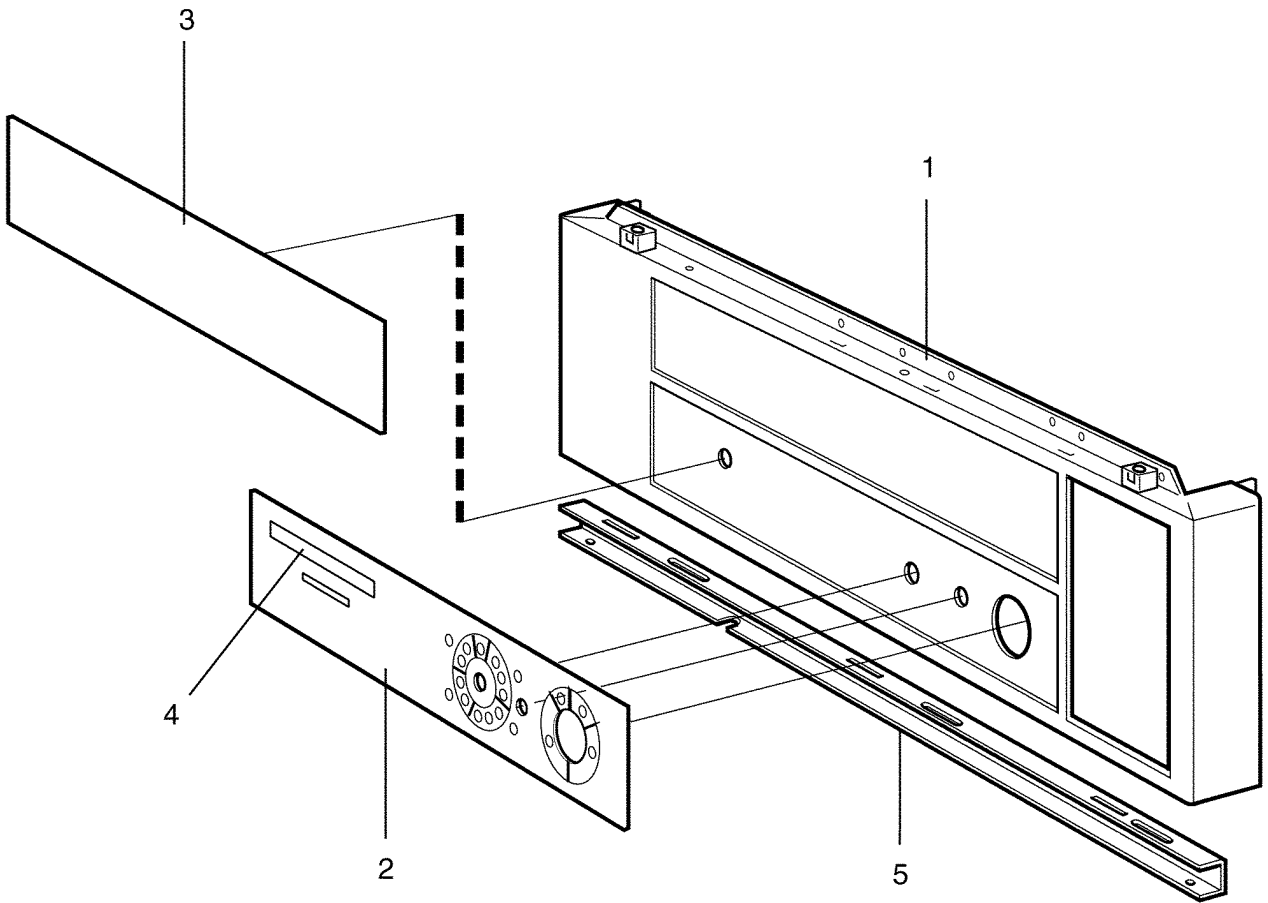
**E630,W630,W630c,W630s**

**Control panel Exacta**

**Pupitre de commande Exacta**

Illustration Issue Month Year  
Schéma Issue Month Year  
**101769/3 4 5 2004**

Item Article	Qua. Qua.	Art.No Réf. article	Description	Description	Info Info	Notes Remarques
	1	<b>432 2652-24</b>	Instruction plate	Plaque instruction utilisation	3	Program 2G01 Danish
	1	<b>432 2652-25</b>	Instruction plate	Plaque instruction utilisation	3	Program 2L01 Danish
	1	<b>432 2652-26</b>	Instruction plate	Plaque instruction utilisation	3	Program 2H21 Danish
	1	<b>432 2652-27</b>	Instruction plate	Plaque instruction utilisation	3	Program 2A01 Finnish
	1	<b>432 2652-28</b>	Instruction plate	Plaque instruction utilisation	3	Program 2G01 Finnish
	1	<b>432 2652-29</b>	Instruction plate	Plaque instruction utilisation	3	Program 2L01 Finnish
	1	<b>432 2652-30</b>	Instruction plate	Plaque instruction utilisation	3	Program 2A01 Norwegian
	1	<b>432 2652-31</b>	Instruction plate	Plaque instruction utilisation	3	Program 2G01 Norwegian
	1	<b>432 2652-32</b>	Instruction plate	Plaque instruction utilisation	3	Program 2L01 Norwegian
	1	<b>432 2652-33</b>	Instruction plate	Plaque instruction utilisation	3	Program 2L12 Norwegian
	1	<b>432 2652-34</b>	Instruction plate	Plaque instruction utilisation	3	Program 2G01 Polish
	1	<b>432 2652-35</b>	Instruction plate	Plaque instruction utilisation	3	Program 2L01 Polish
	1	<b>432 2652-36</b>	Instruction plate	Plaque instruction utilisation	3	Program 2L12 Polish
	1	<b>432 2652-37</b>	Instruction plate	Plaque instruction utilisation	3	Program 2L01 Italian
	1	<b>432 2652-38</b>	Instruction plate	Plaque instruction utilisation	3	Program 2L11 German
	1	<b>432 2652-39</b>	Instruction plate	Plaque instruction utilisation	3	Program 2A01 Danish
	1	<b>432 2652-40</b>	Instruction plate	Plaque instruction utilisation	3	Program 2A01 Swedish
	1	<b>432 2652-41</b>	Instruction plate	Plaque instruction utilisation	3	Program 2L01 English
<b>4</b>	1	<b>432 2603-20</b>	Type plate	Numéro série plaque	3	W3130N
	1	<b>432 2603-15</b>	Type plate	Numéro série plaque	3	W630s Super Junior
<b>5</b>	1	<b>432 2150-01</b>	Cover plate	Couvercle	3	
<b>6</b>	2	<b>432 2181-01</b>	Bracket	Support de montage	3	
<b>7</b>	4	<b>732 2112-01</b>	Locking nut	Contre-écrou	3	M4



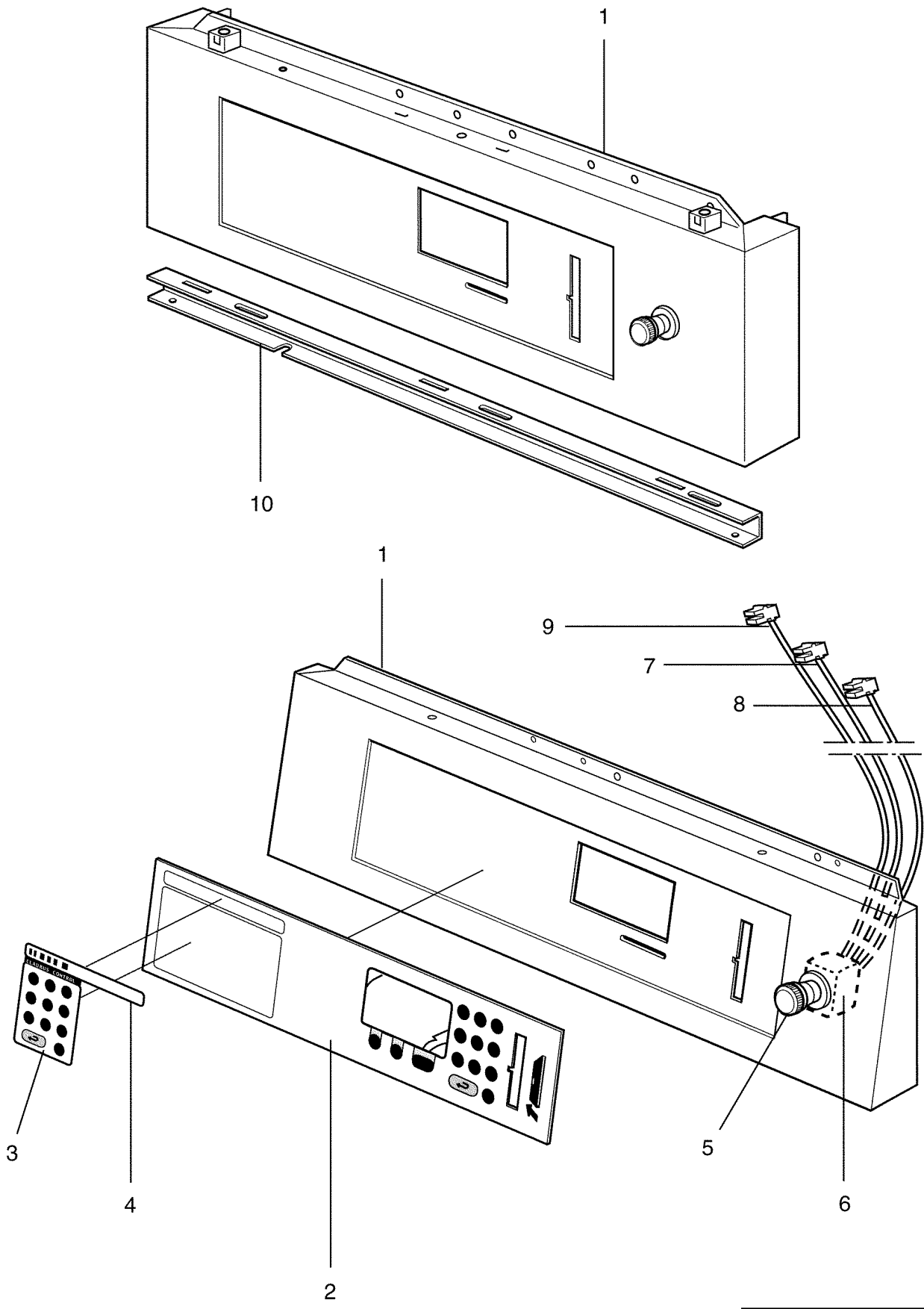
**E630,W630,W630c,W630s**

**Control panel Classic**

**Pupitre de commande Classic**

Illustration Issue Month Year  
Schéma Issue Month Year  
**101949/3 5 5 2004**

Item Article	Qua. Qua.	Art.No Réf. article	Description	Description	Info Info	Notes Remarques
<b>1</b>	1	<b>432 2014-02</b>	Front panel	Panneau avant	3	
<b>2</b>	1	<b>432 2802-01</b>	Panel sign	Voyant du tableau	1,2	OG01
	1	<b>432 2802-40</b>	Panel sign	Voyant du tableau	1,2	OL02
	1	<b>432 2802-80</b>	Panel sign	Voyant du tableau	1,2	OL03
<b>3</b>	1	<b>432 2851-01</b>	Instruction plate	Plaque instruction utilisation	3	OG01 English Without coin meter
	1	<b>432 2851-02</b>	Instruction plate	Plaque instruction utilisation	3	OG01 English With coin meter
	1	<b>432 2851-04</b>	Instruction plate	Plaque instruction utilisation	3	OG01 German Without coin meter
	1	<b>432 2851-05</b>	Instruction plate	Plaque instruction utilisation	3	OG01 German With coin meter
	1	<b>432 2851-07</b>	Instruction plate	Plaque instruction utilisation	3	OG01 Italian Without coin meter
	1	<b>432 2851-08</b>	Instruction plate	Plaque instruction utilisation	3	OG01 Italian With coin meter
	1	<b>432 2851-10</b>	Instruction plate	Plaque instruction utilisation	3	OG01 French Without coin meter
	1	<b>432 2851-11</b>	Instruction plate	Plaque instruction utilisation	3	OG01 French With coin meter
	1	<b>432 2851-13</b>	Instruction plate	Plaque instruction utilisation	3	OG01 Spanish Without coin meter
	1	<b>432 2851-14</b>	Instruction plate	Plaque instruction utilisation	3	OG01 Spanish With coin meter
	1	<b>432 2851-16</b>	Instruction plate	Plaque instruction utilisation	3	OG01 Dutch Without coin meter
	1	<b>432 2851-17</b>	Instruction plate	Plaque instruction utilisation	3	OG01 Dutch With coin meter
	1	<b>432 2851-19</b>	Instruction plate	Plaque instruction utilisation	3	OG01 Norwegian Without coin meter
	1	<b>432 2851-25</b>	Instruction plate	Plaque instruction utilisation	3	OG01 Polish WITHOUT COIN-METER
	1	<b>432 2851-40</b>	Instruction plate	Plaque instruction utilisation	3	OL02 English Without coin meter
	1	<b>432 2851-41</b>	Instruction plate	Plaque instruction utilisation	3	OL02 English With coin meter
	1	<b>432 2851-43</b>	Instruction plate	Plaque instruction utilisation	3	OL02 German Without coin meter
	1	<b>432 2851-44</b>	Instruction plate	Plaque instruction utilisation	3	OL02 German With coin meter
	1	<b>432 2851-46</b>	Instruction plate	Plaque instruction utilisation	3	OL02 Italian Without coin meter
	1	<b>432 2851-47</b>	Instruction plate	Plaque instruction utilisation	3	OL02 Italian With coin meter
	1	<b>432 2851-49</b>	Instruction plate	Plaque instruction utilisation	3	OL02 French Without coin meter
	1	<b>432 2851-50</b>	Instruction plate	Plaque instruction utilisation	3	OL02 French With coin meter
	1	<b>432 2851-52</b>	Instruction plate	Plaque instruction utilisation	3	OL02 Spanish Without coin meter
	1	<b>432 2851-53</b>	Instruction plate	Plaque instruction utilisation	3	OL02 Spanish With coin meter
	1	<b>432 2851-54</b>	Instruction plate	Plaque instruction utilisation	3	OL02 Dutch Without coin meter
	1	<b>432 2851-55</b>	Instruction plate	Plaque instruction utilisation	3	OL02 Dutch With coin meter
	1	<b>432 2851-80</b>	Instruction plate	Plaque instruction utilisation	3	OL03 English Without coin meter
	1	<b>432 2851-81</b>	Instruction plate	Plaque instruction utilisation	3	OL03 English With coin meter
	1	<b>432 2851-85</b>	Instruction plate	Plaque instruction utilisation	3	OL03 French Without coin meter
	1	<b>432 2851-86</b>	Instruction plate	Plaque instruction utilisation	3	OL03 French With coin meter
<b>4</b>	1	<b>432 2603-20</b>	Type plate	Numéro série plaque	3	W3130N
	1	<b>432 2603-14</b>	Type plate	Numéro série plaque	3	W630 Super Junior
<b>5</b>	-					Not used



Issue	Month	Year
02	09	03

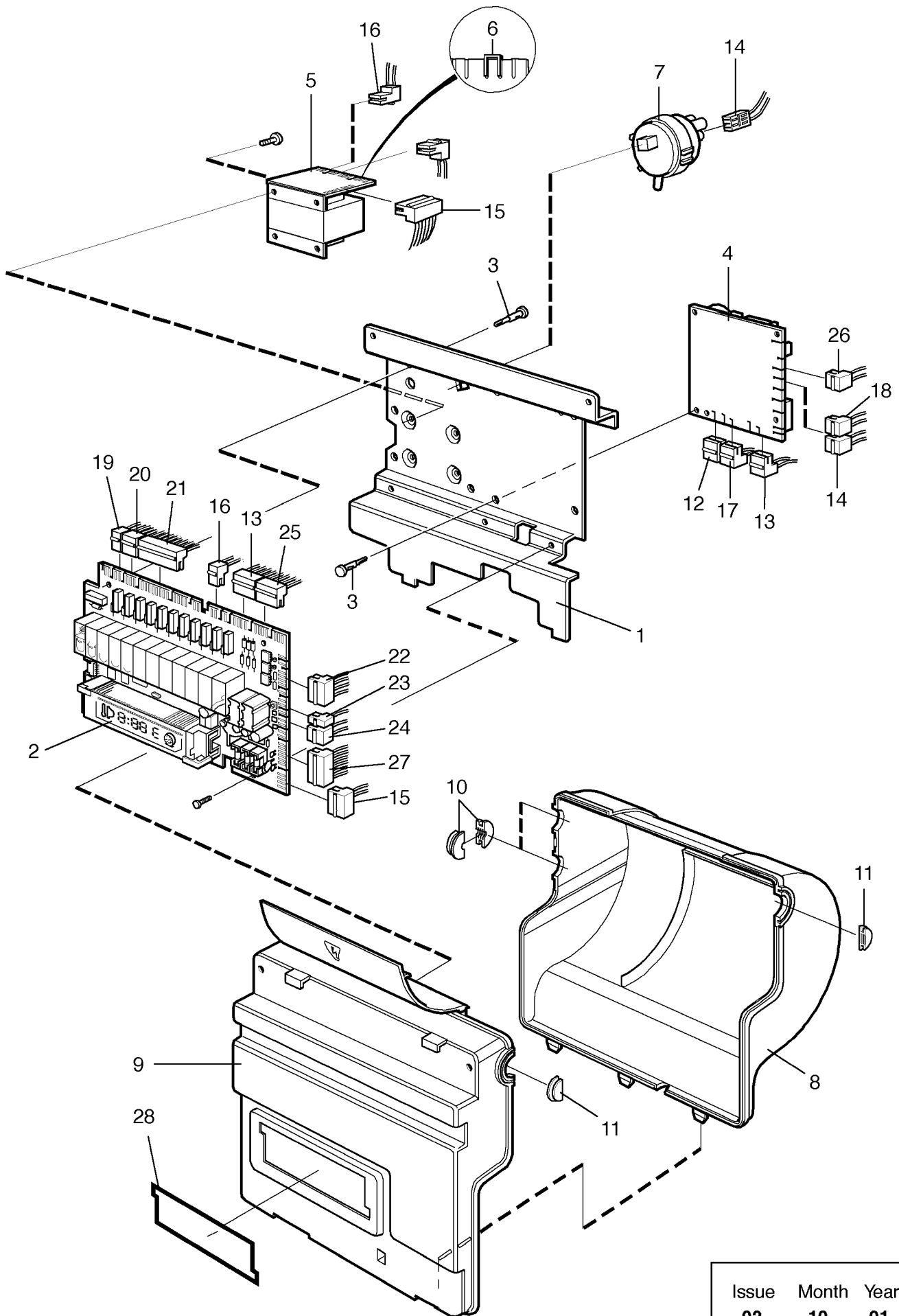
**E630,W630,W630c,W630s**

**Control panel Clarus**

**Pupitre de commande Clarus**

Illustration Issue Month Year  
Schéma Issue Month Year  
**101770/2 5 9 2004**

Item Article	Qua. Qua.	Art.No Réf. article	Description	Description	Info Info	Notes Remarques
<b>1</b>	1	<b>432 2021-02</b>	Front panel	Panneau avant	3	
<b>2</b>	1	<b>432 2750-01</b>	Control panel	Pupitre de commande	1,2	
<b>3</b>	1	<b>432 2630-01</b>	Instruction plate	Plaque instruction utilisation	3	Swedish
	1	<b>432 2630-02</b>	Instruction plate	Plaque instruction utilisation	3	English, Italian
	1	<b>432 2630-03</b>	Instruction plate	Plaque instruction utilisation	3	Japanese
	1	<b>432 2630-04</b>	Instruction plate	Plaque instruction utilisation	3	German
	1	<b>432 2630-02</b>	Instruction plate	Plaque instruction utilisation	3	English, Italian
	1	<b>432 2630-06</b>	Instruction plate	Plaque instruction utilisation	3	Danish
	1	<b>432 2630-02</b>	Instruction plate	Plaque instruction utilisation	3	English, Italian
	1	<b>432 2630-06</b>	Instruction plate	Plaque instruction utilisation	3	Danish
	1	<b>432 2630-09</b>	Instruction plate	Plaque instruction utilisation	3	Spanish
	1	<b>432 2630-10</b>	Instruction plate	Plaque instruction utilisation	3	Polish
<b>4</b>	1	<b>432 2603-20</b>	Type plate	Numéro série plaque	3	W3130N
	1	<b>432 2603-13</b>	Type plate	Numéro série plaque	3	W630c Super Junior
<b>5</b>	1	<b>471 9628-32</b>	Emergency stop	Arrêt d'urgence	1,2	
<b>6</b>	1	<b>471 9628-33</b>	Contact block	Bloc de connexion	1,2	
<b>7</b>	1	<b>432 3182-61</b>	Cable set	Jeu de câbles	3	-595/16652
	1	<b>432 3192-61</b>	Cable set	Jeu de câbles	3	595/16653-
<b>8</b>	1	<b>432 3182-72</b>	Cable set	Jeu de câbles	3	-595/16652
	1	<b>432 3192-72</b>	Cable set	Jeu de câbles	3	595/16653-
<b>9</b>	1	<b>432 3182-78</b>	Cable set	Jeu de câbles	3	-595/16652
	1	<b>432 3192-78</b>	Cable set	Jeu de câbles	3	595/16653-
<b>10</b>	-					Not used



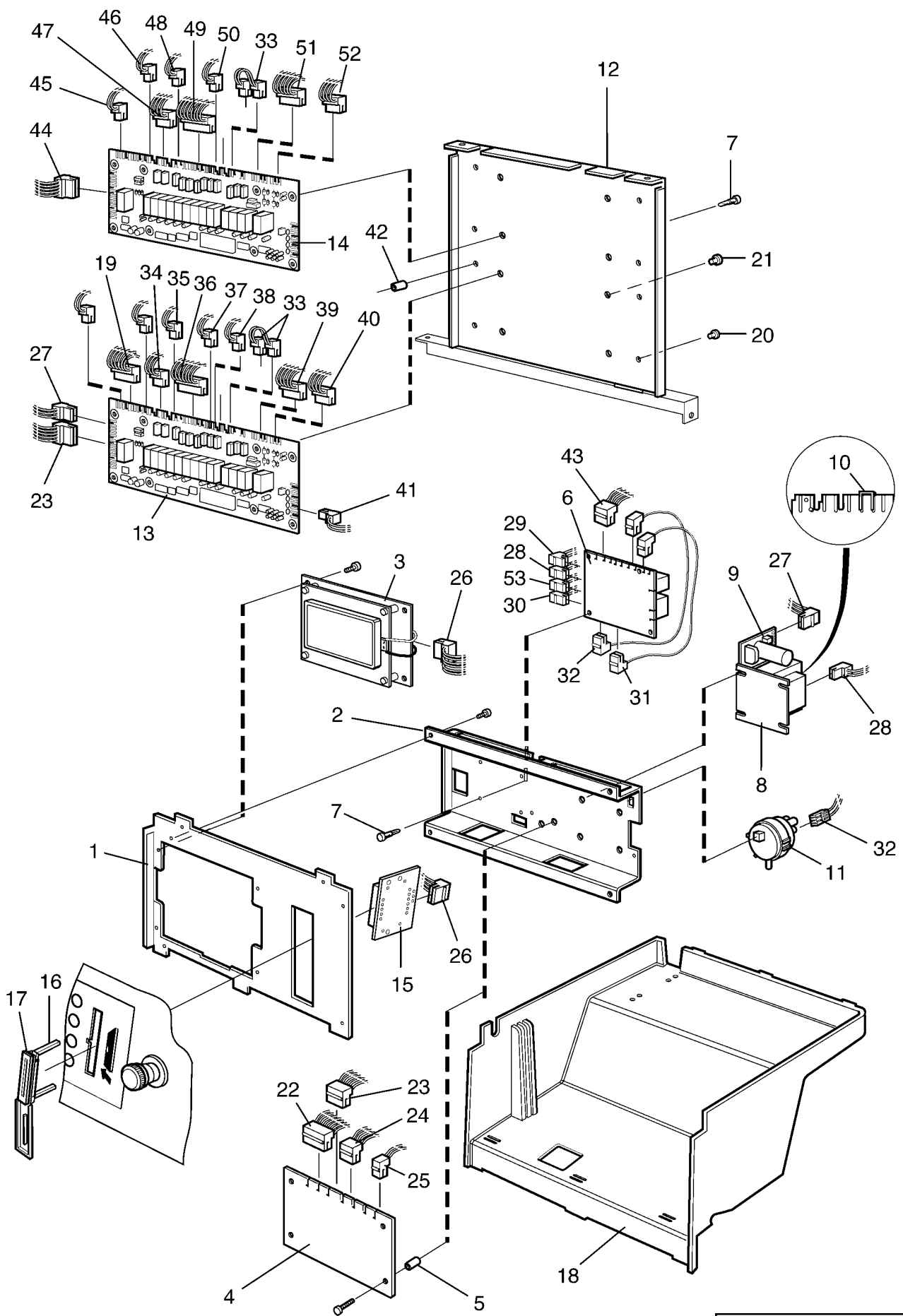
**E630,W630,W630c,W630s**

**Electrical components Exacta**

**Composants électriques Exacta**

Illustration Issue Month Year  
Schéma Issue Month Year  
**101928/2 4 9 2004**

Item Article	Qua. Qua.	Art.No Réf. article	Description	Description	Info Info	Notes Remarques
1	1	432 2167-01	Mounting plate	Plaque de montage	3	
2	1	471 8988-11	Printed circuit board	Circuit imprimé	1,2	
3	6	471 7958-02	Support	Support	3	
4	1	438 9555-11	Control unit	Organe de direction	1,2	230V
	1	438 9555-12	Control unit	Organe de direction	1,2	120V
5	1	471 9558-12	Transformer	Transformateur	1	
6	1	472 9913-43	Clamp	Bride de fixation	3	Kit 25 pcs
7	1	471 8861-01	Level guard	Limiteur de niveau	1,2	
8	1	432 3910-01	Protective cover	Couvercle de protection	3	Rear
9	1	432 3909-01	Protective cover	Couvercle de protection	3	Front
10	4	432 3907-01	Grommet	Oeillet	3	
11	2	432 3908-01	Grommet	Oeillet	3	
12	1	432 3082-35	Cable set	Jeu de câbles	3	-595/16652
	1	432 3092-35	Cable set	Jeu de câbles	3	595/16653-
13	1	432 3082-58	Cable set	Jeu de câbles	3	-595/16652
	1	432 3092-58	Cable set	Jeu de câbles	3	595/16653-
14	1	432 3182-94	Cable set	Jeu de câbles	3	-595/16652
	1	432 3092-94	Cable set	Jeu de câbles	3	595/16653-
15	1	432 3087-05	Cable set	Jeu de câbles	3	-595/16652
	1	432 3097-05	Cable set	Jeu de câbles	3	595/16653-
16	1	432 3082-26	Cable set	Jeu de câbles	3	-595/16652
	1	432 3092-26	Cable set	Jeu de câbles	3	595/16653-
17	1	432 3082-42	Cable set	Jeu de câbles	3	-595/16652
	1	432 3092-42	Cable set	Jeu de câbles	3	595/16653-
18	1	432 3182-11	Cable set	Jeu de câbles	3	X94-X304 -595/16652
	1	432 3192-11	Cable set	Jeu de câbles	3	595/16653-
19	1	432 3082-36	Cable set	Jeu de câbles	3	-595/16652
	1	432 3092-36	Cable set	Jeu de câbles	3	595/16653-
20	1	432 3088-14	Cable set	Jeu de câbles	3	-595/16652
	1	432 3098-14	Cable set	Jeu de câbles	3	595/16653-
21	1	432 3087-16	Cable set	Jeu de câbles	3	-595/16652
	1	432 3097-16	Cable set	Jeu de câbles	3	595/16653-
22	1	432 3094-31	Cable set	Jeu de câbles	3	595/16653-
	1	432 3084-31	Cable set	Jeu de câbles	3	-595/16652
23	1	432 3082-75	Cable set	Jeu de câbles	3	-595/16652
	1	432 3092-75	Cable set	Jeu de câbles	3	595/16653-
24	1	432 3082-04	Cable set	Jeu de câbles	3	-595/16652
	1	432 3092-04	Cable set	Jeu de câbles	3	595/16653-
25	1	432 3086-89	Cable set	Jeu de câbles	3	-595/16652
	1	432 3096-89	Cable set	Jeu de câbles	3	595/16653-
26	1	432 3082-99	Cable set	Jeu de câbles	3	-595/16652
	1	432 3092-99	Cable set	Jeu de câbles	3	595/16653-
27	1	432 3086-10	Cable set	Jeu de câbles	3	-595/16652
	1	432 3096-10	Cable set	Jeu de câbles	3	595/16653-
28	1	432 3911-01	Gasket	Joint	3	CC



Issue	Month	Year
04	12	04



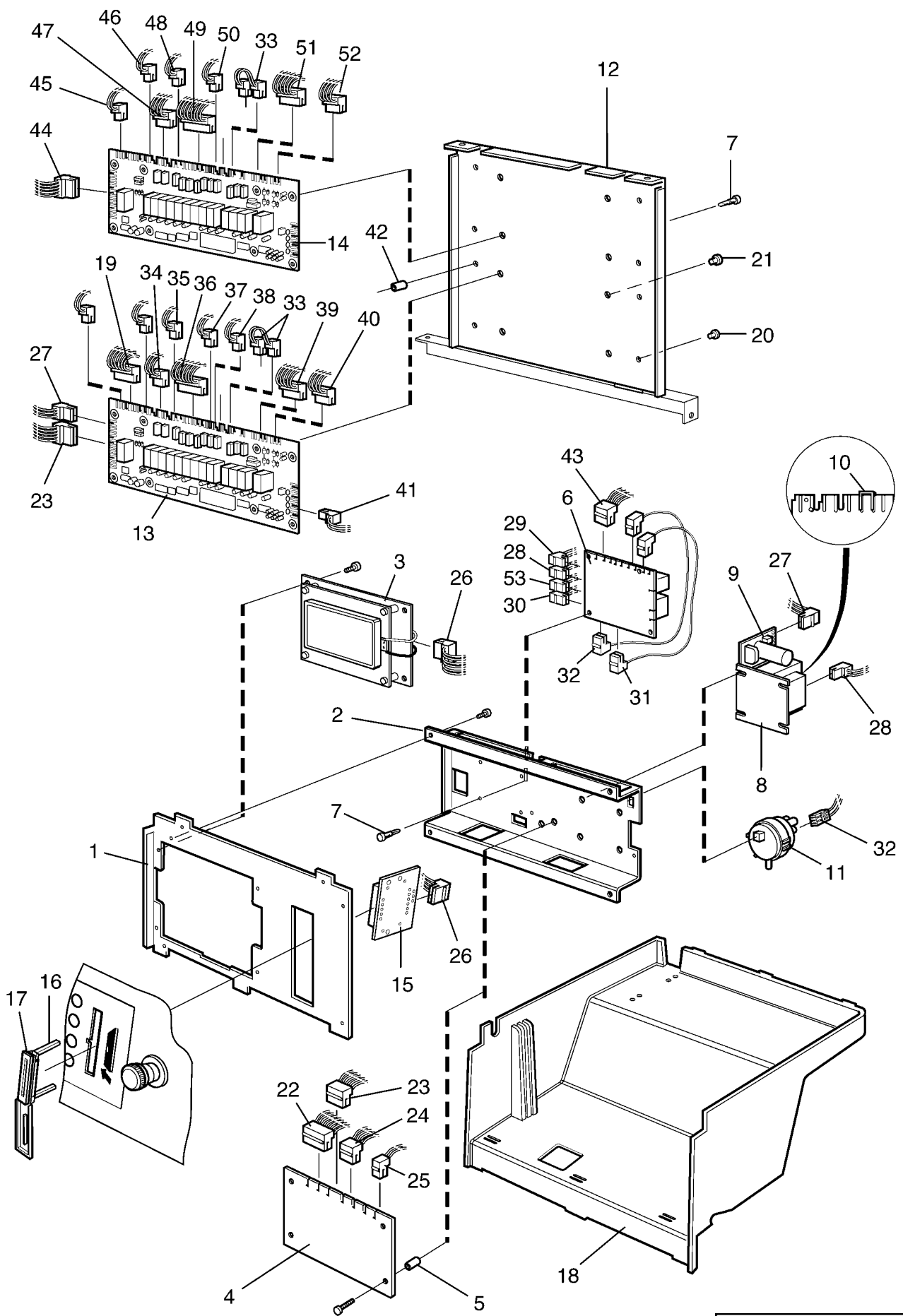
**E630,W630,W630c,W630s**

**Electrical components Clarus**

**Composants électriques Clarus**

Illustration Issue Month Year  
Schéma Issue Month Year  
**101765/4 15 8 2006**

Item Article	Qua. Qua.	Art.No Réf. article	Description	Description	Info Info	Notes Remarques
1	1	432 2159-01	Mounting plate	Plaque de montage	3	
2	1	432 2160-01	Mounting plate	Plaque de montage	3	
3	1	471 8997-03	Display	Affichage	1,2	
4	1	471 8993-01	Printed circuit board	Circuit imprimé	1,2	Not configured
	1	438 7123-01	Printed circuit board	Circuit imprimé	1,2	7G01, 1 I/O-card Danish
	1	438 7123-02	Printed circuit board	Circuit imprimé	1,2	7G01, 1 I/O-card Dutch
	1	438 7123-22	Printed circuit board	Circuit imprimé	1,2	7W01 2 I/O-cards Dutch
	1	438 7123-03	Printed circuit board	Circuit imprimé	1,2	7G01, 1 I/O-card English
	1	438 7123-04	Printed circuit board	Circuit imprimé	1,2	7G02, 1 I/O-card GB English
	1	438 7123-21	Printed circuit board	Circuit imprimé	1,2	7W02, 2 I/O-cards GB English
	1	438 7123-05	Printed circuit board	Circuit imprimé	1,2	7G02, 1 I/O-card USA
	1	438 7123-16	Printed circuit board	Circuit imprimé	1,2	7G02, HW, 1 I/O-card USA
	1	438 7123-23	Printed circuit board	Circuit imprimé	1,2	7G22 1 I/O-card HW PLUS NON-HEATING,USA
	1	438 7123-06	Printed circuit board	Circuit imprimé	1,2	7G01, 1 I/O-card Finnish
	1	438 7123-07	Printed circuit board	Circuit imprimé	1,2	7G01, 1 I/O-card French
	1	438 7123-08	Printed circuit board	Circuit imprimé	1,2	7G01, 1 I/O-card German
	1	438 7123-09	Printed circuit board	Circuit imprimé	1,2	7G01, 1 I/O-card Italian
	1	438 7123-10	Printed circuit board	Circuit imprimé	1,2	7G03, 1 I/O-card Japanese
	1	438 7123-11	Printed circuit board	Circuit imprimé	1,2	7G01, 1 I/O-card Norwegian
	1	438 7123-20	Printed circuit board	Circuit imprimé	1,2	7W01 2 I/O-cards Norwegian
	1	438 7123-12	Printed circuit board	Circuit imprimé	1,2	7G01, 1 I/O-card Polish
	1	438 7123-13	Printed circuit board	Circuit imprimé	1,2	7G01, 1 I/O-card Swedish
	1	438 7123-14	Printed circuit board	Circuit imprimé	1,2	7G01, 1 I/O-card Spanish
	1	438 7123-15	Printed circuit board	Circuit imprimé	1,2	7W01 2 I/O-cards Finnish
	1	438 7123-17	Printed circuit board	Circuit imprimé	1,2	7G01, HW, 1 I/O-card French
	1	438 7123-18	Printed circuit board	Circuit imprimé	1,2	7G01, 1 I/O-card Czech
	1	438 7123-19	Printed circuit board	Circuit imprimé	1,2	7W01 2 I/O-cards English
5	4	438 0299-01	Spacer	Entretoise	3	
6	1	438 9555-11	Control unit	Organe de direction	1,2	230V
	1	438 9555-12	Control unit	Organe de direction	1,2	120V
7	Rq	471 7958-02	Support	Support	3	
8	1	471 8792-01	Transformer	Transformateur	3	
9	1	471 8750-11	•Fuse	•Porte-fusible	1,2	1,25A
10	1	472 9913-43	Clamp	Bride de fixation	3	Kit 25 pcs
11	1	471 8861-01	Level guard	Limiteur de niveau	1,2	
12	1	432 2161-01	Cover	Couvercle	3	
13	1	471 8995-11	Printed circuit board	Circuit imprimé	1,2	I/O-card
14	1	471 8995-12	Printed circuit board	Circuit imprimé	1,2	I/O-card
15	1	471 8793-01	Card reader	Lecteur de carte	1	
16	1	432 0150-01	Bracket	Pièce de retenue	3	
17	1	432 0149-01	Rubber cap	Capuchon caoutchouc	3	
18	1	432 2162-02	Protective cover	Couvercle de protection	3	
19	1	432 3086-92	Cable set	Jeu de câbles	3	-595/16652
	1	432 3096-92	Cable set	Jeu de câbles	3	595/16653-
20	4		Plug	Fiche	3	Ø3,5
21	4		Plug	Bonde	3	Ø6,5
22	1	432 3087-92	Cable set	Jeu de câbles	3	-595/16652
	1	432 3097-92	Cable set	Jeu de câbles	3	595/16653-
23	1	432 3085-15	Cable set	Jeu de câbles	3	-595/16652
	1	432 3095-15	Cable set	Jeu de câbles	3	595/16653-
24	1	432 3084-40	Cable set	Jeu de câbles	3	A1X1-Temp. sensor
25	1	432 3082-77	Cable set	Jeu de câbles	3	A1X1-Temp. sensor
26	1	432 2981-01	Cable set	Jeu de câbles	3	
27	1	432 3087-75	Cable set	Jeu de câbles	3	A11X3-X172
28	1	432 3082-41	Cable set	Jeu de câbles	3	-595/16652
	1	432 3092-41	Cable set	Jeu de câbles	3	595/16653-
29	1	432 3082-59	Cable set	Jeu de câbles	3	-595/16652
	1	432 3092-59	Cable set	Jeu de câbles	3	595/16653-

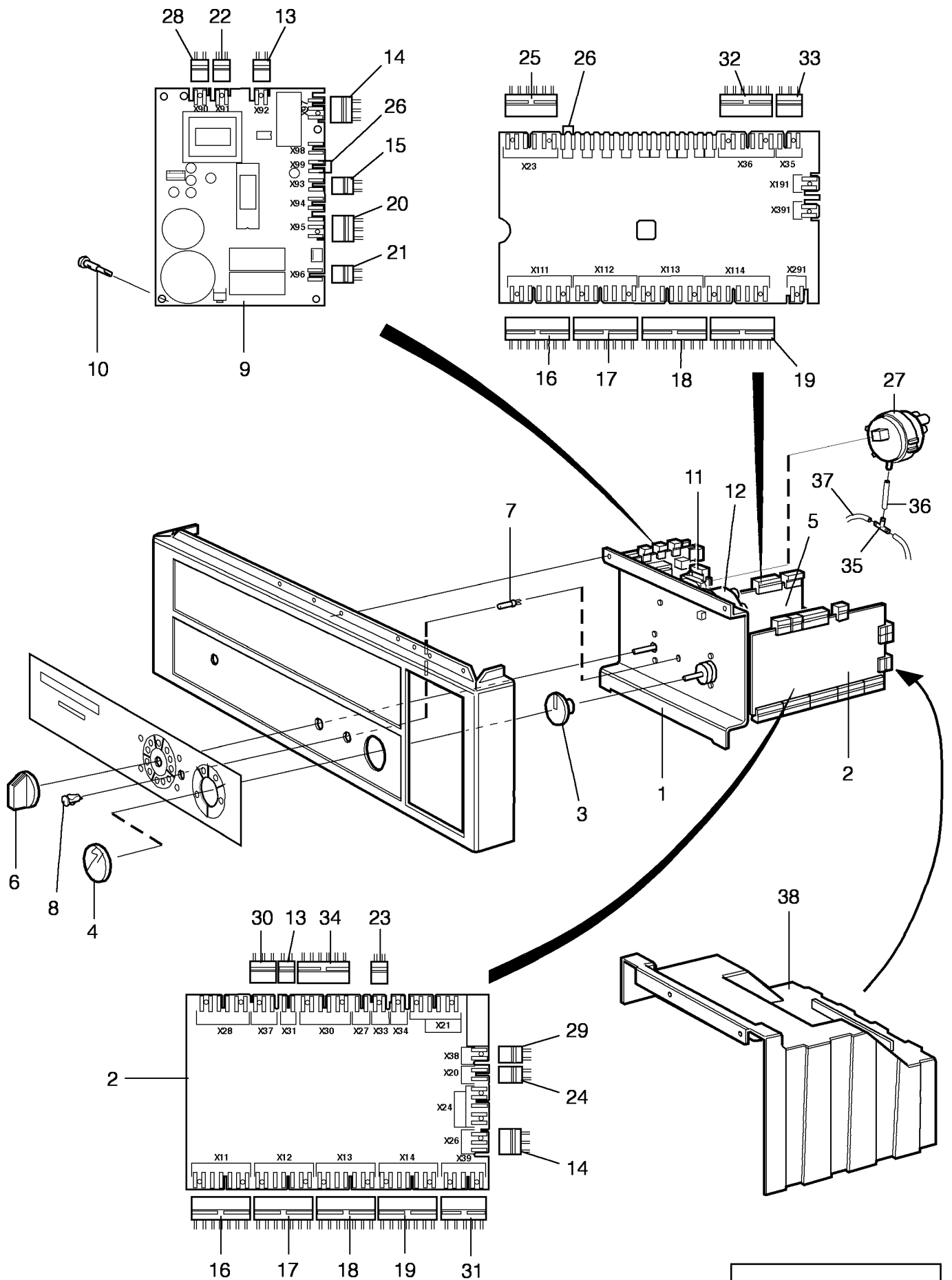


Issue	Month	Year
04	12	04

**E630,W630,W630c,W630s****Electrical components Clarus****Composants électriques Clarus**

Illustration	Issue	Month	Year
Schéma	Issue	Month	Year
<b>101765/4</b>	<b>15</b>	<b>8</b>	<b>2006</b>

Item Article	Qua. Qua.	Art.No Réf. article	Description	Description	Info Info	Notes Remarques
30	1	432 3082-48	Cable set	Jeu de câbles	3	X90-X45
31	1	432 3082-21	Cable set	Jeu de câbles	3	X94-X304
32	1	432 3182-93	Cable set	Jeu de câbles	3	X93
33	1	432 3082-56	Cable set	Jeu de câbles	3	-595/16652
	1	432 3092-56	Cable set	Jeu de câbles	3	595/16653-
34	1	432 3083-30	Cable set	Jeu de câbles	3	A11X7-X49 -595/16652
	1	432 3093-30	Cable set	Jeu de câbles	3	595/16653-
35	1	432 3082-15	Cable set	Jeu de câbles	3	A11X8-X47 -595/16652
	1	432 3092-15	Cable set	Jeu de câbles	3	595/16653-
36	1	432 3087-20	Cable set	Jeu de câbles	3	A11X9-X48 -595/16652
	1	432 3097-20	Cable set	Jeu de câbles	3	595/16653-
37	1	432 3082-49	Cable set	Jeu de câbles	3	A11X10-X302
38	1	432 3082-43	Cable set	Jeu de câbles	3	A11X11-X42 -595/16652
	1	432 3092-43	Cable set	Jeu de câbles	3	595/16653-
39	1	432 3085-25	Cable set	Jeu de câbles	3	A11X14-X43 -595/16652
	1	432 3095-25	Cable set	Jeu de câbles	3	595/16653-
40	1	432 3084-16	Cable set	Jeu de câbles	3	A11X15-X41 -595/16652
	1	432 3094-16	Cable set	Jeu de câbles	3	595/16653-
41	1	432 3082-18	Cable set	Jeu de câbles	3	A11X16:3-X40
42	4	438 0299-01	Spacer	Entretoise	3	
43	1	432 3082-90	Cable set	Jeu de câbles	3	X96
44	1	432 3085-04	Cable set	Jeu de câbles	3	-595/16652
	1	432 3095-04	Cable set	Jeu de câbles	3	595/16653-
45	1	432 3082-07	Cable set	Jeu de câbles	3	-595/16652
	1	432 3092-07	Cable set	Jeu de câbles	3	595/16653-
46	1	432 3082-33	Cable set	Jeu de câbles	3	-595/16652
	1	432 3092-33	Cable set	Jeu de câbles	3	595/16653-
47	1	432 3083-18	Cable set	Jeu de câbles	3	-595/16652
	1	432 3093-18	Cable set	Jeu de câbles	3	595/16653-
48	1	432 3082-08	Cable set	Jeu de câbles	3	-595/16652
	1	432 3092-08	Cable set	Jeu de câbles	3	595/16653-
49	1	432 3088-18	Cable set	Jeu de câbles	3	-595/16652
	1	432 3098-18	Cable set	Jeu de câbles	3	595/16653-
50	1	432 3182-02	Cable set	Jeu de câbles	3	-595/16652
	1	432 3192-02	Cable set	Jeu de câbles	3	595/16653-
51	1	432 3085-12	Cable set	Jeu de câbles	3	-595/16652
	1	432 3095-12	Cable set	Jeu de câbles	3	595/16653-
52	1	432 3084-13	Cable set	Jeu de câbles	3	-595/16652
	1	432 3094-13	Cable set	Jeu de câbles	3	595/16653-
53	1	432 3092-70	Cable set	Jeu de câbles	3	



Issue	Month	Year
02	08	01

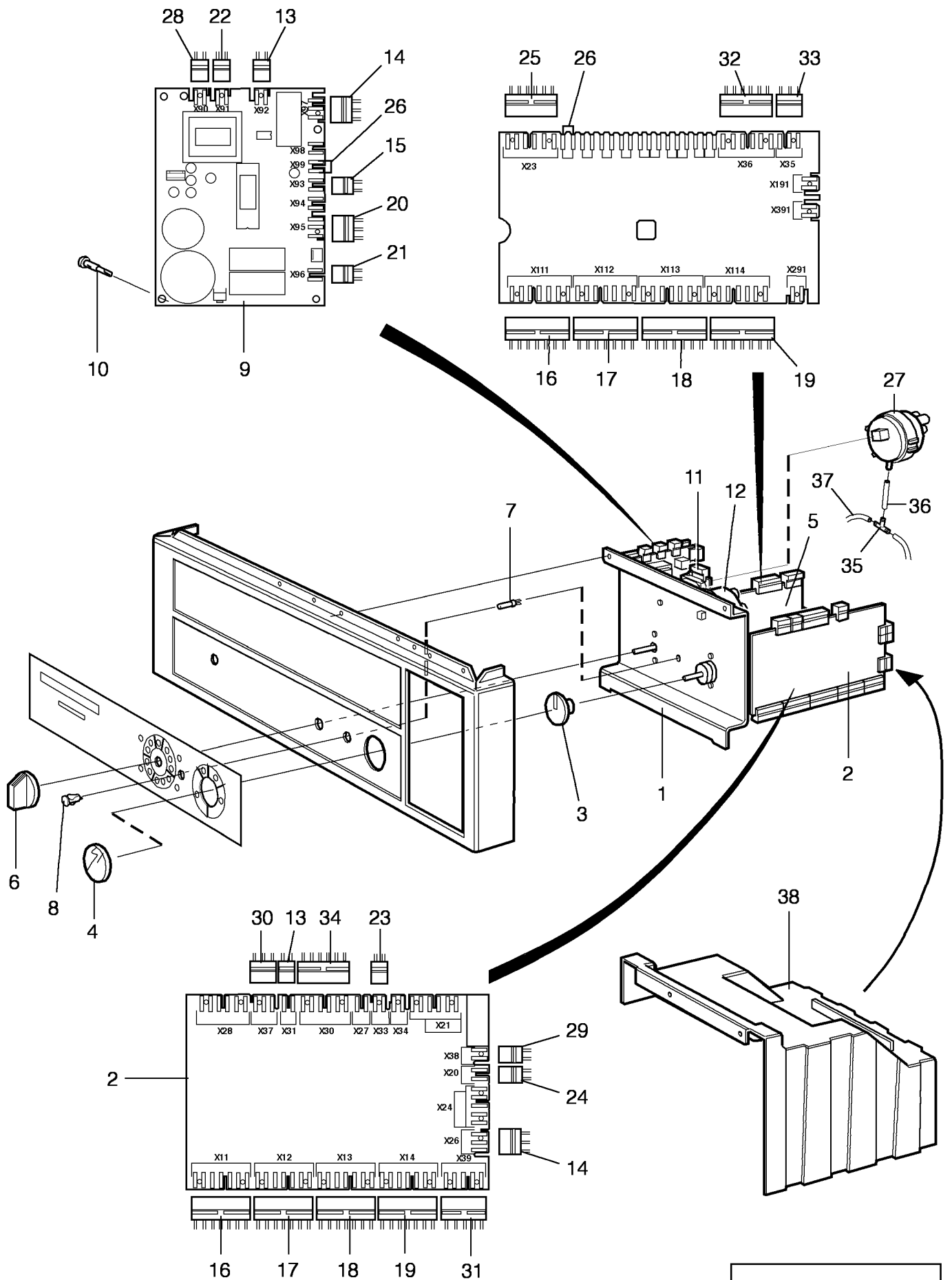
**E630,W630,W630c,W630s**

**Electric components Classic OL02**

**Composants électriques Classic OL02**

Illustration Issue Month Year  
Schéma Issue Month Year  
**101937/2 6 10 2009**

Item Article	Qua. Qua.	Art.No Réf. article	Description	Description	Info Info	Notes Remarques
1	1	432 2168-01	Mounting plate	Plaque de montage	3	
2	1	438 8981-03	Timer	Minuterie	1,2	230V 50Hz Complete
	1	438 8981-02	Timer	Minuterie	1,2	240V 60Hz Complete
	1	438 8981-01	Timer	Minuterie	1,2	110V 60Hz Complete
3	1	472 6082-02	Pointer	Indicateur	1,2	
4	1	438 0040-01	Safety glass	Verre de sécurité	3	
5	1	438 9644-01	Rotary switch	Commutateur rotatif	1,2	OL02 Complete
6	1	438 0076-02	Knob	Bouton de porte	1,2	
7	1	471 9652-02	Pilot lamp	Lampe témoin	1,2	230V
8	1	438 9650-01	Lens	Lentille	3	
9	1	438 9555-11	Control unit	Organe de direction	1,2	230V
	1	438 9555-12	Control unit	Organe de direction	1,2	120V
10	4	471 7958-02	Support	Support	3	
11	1	438 8803-01	Thermostat	Thermostat	1,2	
* 12	1	471 8859-10	Level guard	Limiteur de niveau	1,2	
13	1	432 3082-58	Cable set	Jeu de câbles	3	-595/16652
	1	432 3092-58	Cable set	Jeu de câbles	3	595/16653-
14	1	432 3083-13	Cable set	Jeu de câbles	3	-595/16652
	1	432 3093-13	Cable set	Jeu de câbles	3	595/16653-
15	1	432 3182-94	Cable set	Jeu de câbles	3	-595/16652
	1	432 3192-94	Cable set	Jeu de câbles	3	595/16653-
16	1	432 3087-06	Cable set	Jeu de câbles	3	-595/16652
	1	432 3097-06	Cable set	Jeu de câbles	3	595/16653-
17	1	432 3087-07	Cable set	Jeu de câbles	3	-595/16652
	1	432 3097-07	Cable set	Jeu de câbles	3	595/16653-
18	1	432 3087-08	Cable set	Jeu de câbles	3	-595/16652
	1	432 3097-08	Cable set	Jeu de câbles	3	595/16653-
19	1	432 3087-09	Cable set	Jeu de câbles	3	-595/16652
	1	432 3097-09	Cable set	Jeu de câbles	3	595/16653-
20	1	432 3083-35	Cable set	Jeu de câbles	3	-595/16652
	1	432 3093-35	Cable set	Jeu de câbles	3	595/16653-
21	1	432 3082-99	Cable set	Jeu de câbles	3	-595/16652
	1	432 3092-99	Cable set	Jeu de câbles	3	595/16653-
22	1	432 3082-52	Cable set	Jeu de câbles	3	-595/16652
	1	432 3092-52	Cable set	Jeu de câbles	3	595/16653-
23	1	432 3082-53	Cable set	Jeu de câbles	3	-595/16652
	1	432 3092-53	Cable set	Jeu de câbles	3	595/16653-
24	1	432 3082-65	Cable set	Jeu de câbles	3	-595/16652
	1	432 3092-65	Cable set	Jeu de câbles	3	595/16653-
25	1	432 3086-14	Cable set	Jeu de câbles	3	-595/16652
	1	432 3096-14	Cable set	Jeu de câbles	3	595/16653-
26	Rq	472 9913-43	Clamp	Bride de fixation	3	Kit 25 pcs
27	1	471 8861-01	Level guard	Limiteur de niveau	1,2	
28	1	432 3082-35	Cable set	Jeu de câbles	3	-595/16652
	1	432 3092-35	Cable set	Jeu de câbles	3	595/16653-
29	1	432 3082-45	Cable set	Jeu de câbles	3	-595/16652
	1	432 3092-45	Cable set	Jeu de câbles	3	595/16653-
30	1	432 3083-14	Cable set	Jeu de câbles	3	-595/16652
	1	432 3093-14	Cable set	Jeu de câbles	3	595/16653-
31	1	432 3085-30	Cable set	Jeu de câbles	3	-595/16652
	1	432 3095-30	Cable set	Jeu de câbles	3	595/16653-
32	1	432 3086-16	Cable set	Jeu de câbles	3	-595/16652
	1	432 3096-16	Cable set	Jeu de câbles	3	595/16653-
33	1	432 3083-81	Cable set	Jeu de câbles	3	-595/16652
	1	432 3093-81	Cable set	Jeu de câbles	3	595/16653-
34	1	432 3086-89	Cable set	Jeu de câbles	3	-595/16652
	1	432 3096-89	Cable set	Jeu de câbles	3	595/16653-
35	1	471 2265-69	T-pipe	Tube en T	2	
36	1	471 2440-36	Hose	Flexible	1	L=90



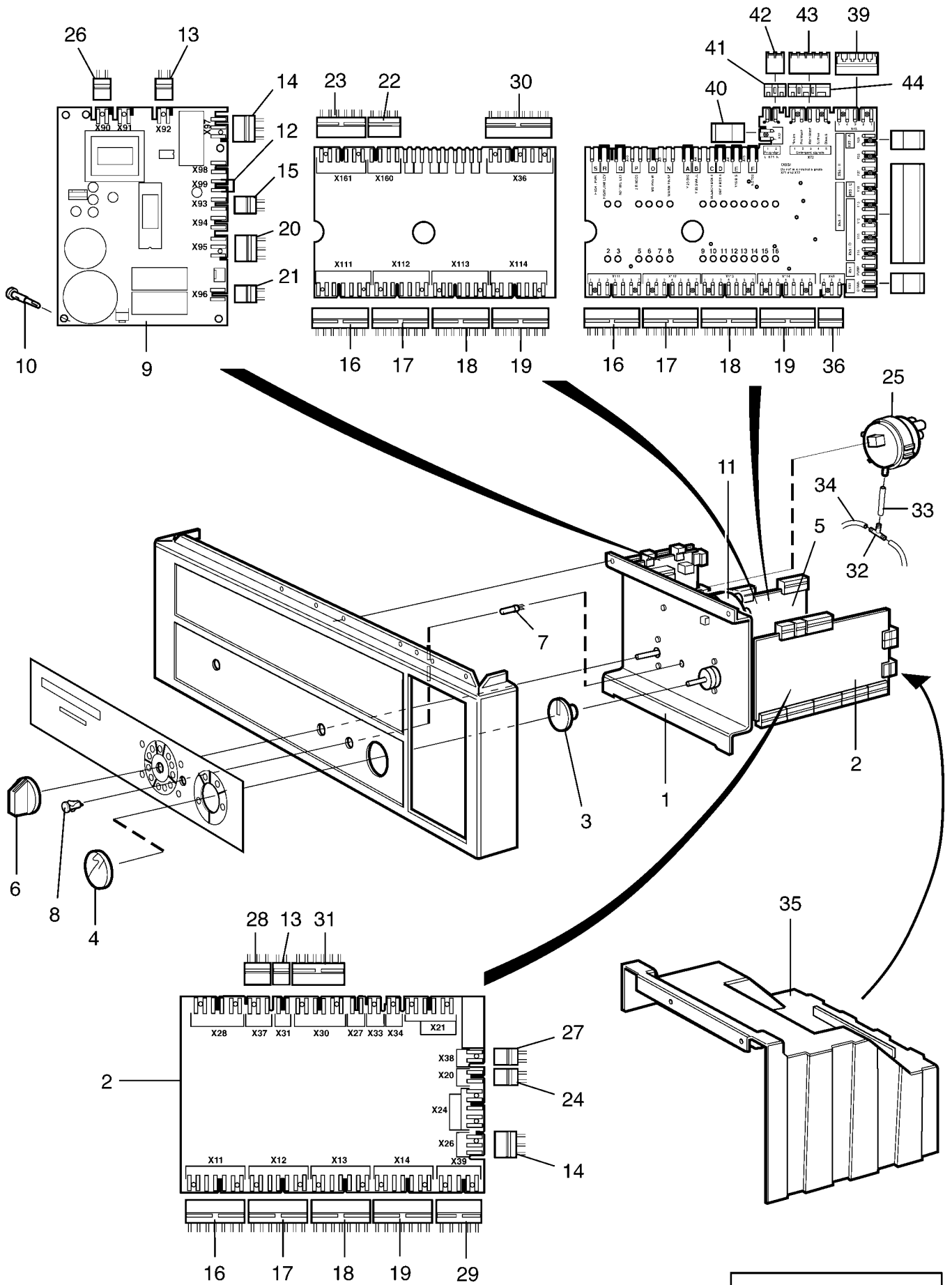
**E630,W630,W630c,W630s**

**Electric components Classic OL02**

**Composants électriques Classic OL02**

Illustration	Issue	Month	Year
Schéma	Issue	Month	Year
<b>101937/2</b>	<b>6</b>	<b>10</b>	<b>2009</b>

Item Article	Qua. Qua.	Art.No Réf. article	Description	Description	Info Info	Notes Remarques
<b>37</b>	1	<b>471 2464-18</b>	Hose	Flexible	1	L=280
<b>38</b>	1	<b>432 2171-01</b>	Protective cover	Couvercle de protection	3	





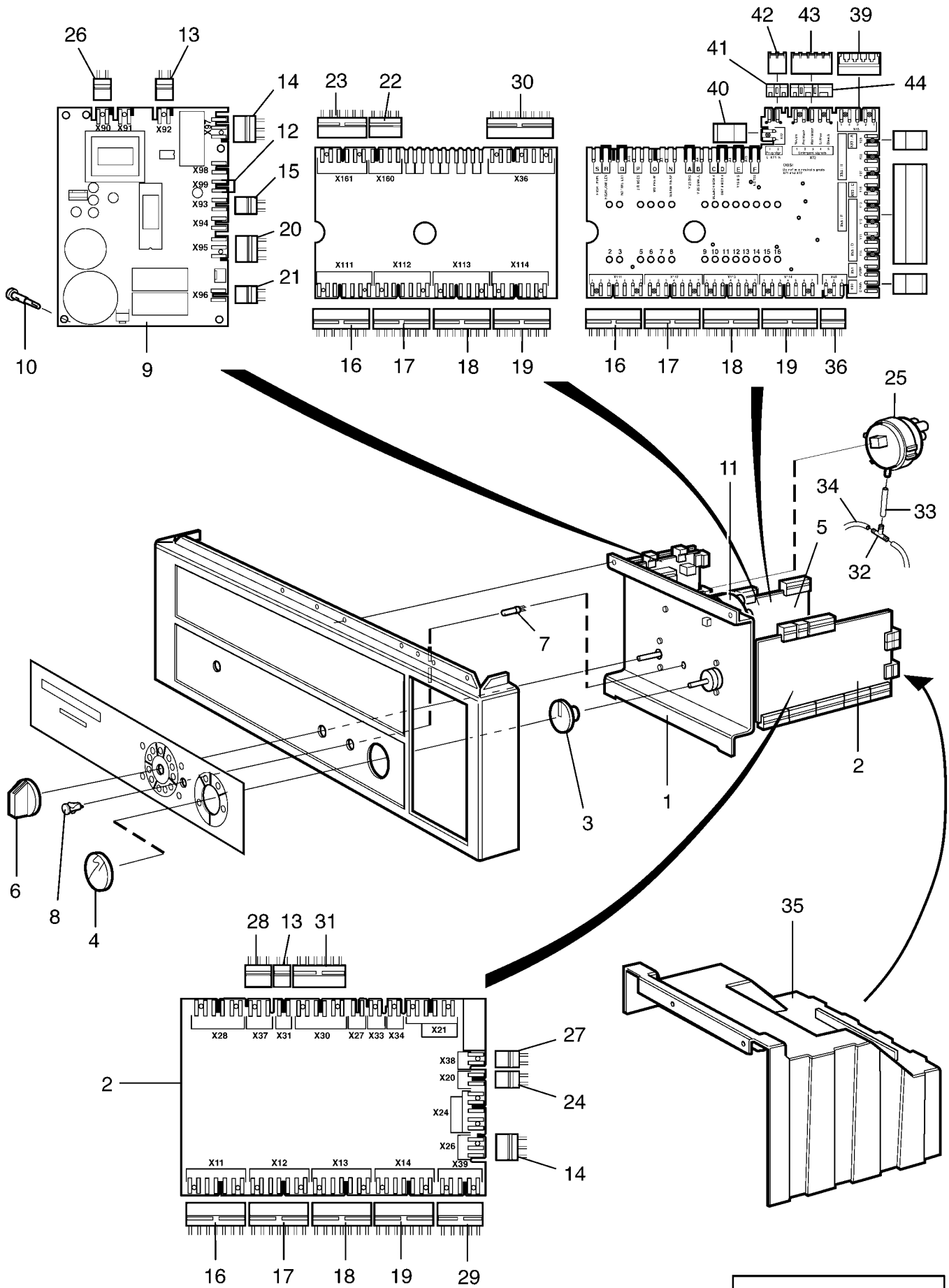
**E630,W630,W630c,W630s**

**Electric components Classic OL03**

**Composants électriques Classic OL03**

Illustration Issue Month Year  
Schéma Issue Month Year  
**101938/2 7 10 2009**

Item Article	Qua. Qua.	Art.No Réf. article	Description	Description	Info Info	Notes Remarques
1	1	432 2168-01	Mounting plate	Plaque de montage	3	
2	1	438 8981-03	Timer	Minuterie	1,2	230V 50Hz Complete
	1	438 8981-02	Timer	Minuterie	1,2	240V 60Hz Complete
	1	438 8981-01	Timer	Minuterie	1,2	110V 60Hz Complete
3	1	472 6082-02	Pointer	Indicateur	1,2	
4	1	438 0040-01	Safety glass	Verre de sécurité	3	
5	1	438 9645-01	Rotary switch	Commutateur rotatif	1,2	OL03 Complete -595/20756
	1	438 9642-01	Rotary switch	Commutateur rotatif	1,2	595/20757-
6	1	438 0076-02	Knob	Bouton de porte	1,2	
7	1	471 9652-02	Pilot lamp	Lampe témoin	1,2	230V
	1	471 9652-01	Pilot lamp	Lampe témoin	1,2	110V
8	1	438 9650-01	Lens	Lentille	3	
9	1	438 9555-11	Control unit	Organe de direction	1,2	230V
	1	438 9555-12	Control unit	Organe de direction	1,2	120V
10	4	471 7958-02	Support	Support	3	
* 11	1	471 8859-10	Level guard	Limiteur de niveau	1,2	
12	Rq	472 9913-43	Clamp	Bride de fixation	3	Kit 25 pcs
13	1	432 3082-58	Cable set	Jeu de câbles	3	-595/16652
	1	432 3092-58	Cable set	Jeu de câbles	3	595/16653-
14	1	432 3083-13	Cable set	Jeu de câbles	3	-595/16652
	1	432 3093-13	Cable set	Jeu de câbles	3	595/16653-
15	1	432 3182-94	Cable set	Jeu de câbles	3	-595/16652
	1	432 3192-94	Cable set	Jeu de câbles	3	595/16653-
16	1	432 3087-06	Cable set	Jeu de câbles	3	-595/16652
	1	432 3097-06	Cable set	Jeu de câbles	3	595/16653-
17	1	432 3087-07	Cable set	Jeu de câbles	3	-595/16652
	1	432 3097-07	Cable set	Jeu de câbles	3	595/16653-
18	1	432 3087-08	Cable set	Jeu de câbles	3	-595/16652
	1	432 3097-08	Cable set	Jeu de câbles	3	595/16653-
19	1	432 3087-09	Cable set	Jeu de câbles	3	-595/16652
	1	432 3097-09	Cable set	Jeu de câbles	3	595/16653-
20	1	432 3083-35	Cable set	Jeu de câbles	3	X95-X195 -595/16652
	1	432 3093-35	Cable set	Jeu de câbles	3	595/16653-
21	1	432 3082-99	Cable set	Jeu de câbles	3	X96 -595/16652
	1	432 3092-99	Cable set	Jeu de câbles	3	595/16653-
22	1	432 3084-28	Cable set	Jeu de câbles	3	X160-X260 -595/16652
	1	432 3094-28	Cable set	Jeu de câbles	3	595/16652-20756
23	1	432 3086-13	Cable set	Jeu de câbles	3	-595/16652
	1	432 3096-13	Cable set	Jeu de câbles	3	595/16652-20756
24	1	432 3082-65	Cable set	Jeu de câbles	3	-595/16652
	1	432 3092-25	Cable set	Jeu de câbles	3	595/16653-
25	1	471 8861-01	Level guard	Limiteur de niveau	1,2	
26	1	432 3082-35	Cable set	Jeu de câbles	3	X90-X45 -595/16652
	1	432 3092-35	Cable set	Jeu de câbles	3	595/16653-
27	1	432 3082-45	Cable set	Jeu de câbles	3	X38-X42 -595/16652
	1	432 3092-45	Cable set	Jeu de câbles	3	595/16653-
28	1	432 3083-14	Cable set	Jeu de câbles	3	X37-X49 -595/16652
	1	432 3093-14	Cable set	Jeu de câbles	3	595/16653-
29	1	432 3085-30	Cable set	Jeu de câbles	3	X39-X43 -595/16652
	1	432 3095-30	Cable set	Jeu de câbles	3	595/16653-
30	1	432 3088-14	Cable set	Jeu de câbles	3	X36-X48 -595/16652
	1	432 3098-14	Cable set	Jeu de câbles	3	595/16652-20756
31	1	432 3086-89	Cable set	Jeu de câbles	3	X30 -595/16652
	1	432 3096-89	Cable set	Jeu de câbles	3	
32	1	471 2265-69	T-pipe	Tube en T	3	
33	1	471 2440-36	Hose	Flexible	1	L=90
34	1	471 2464-18	Hose	Flexible	1	L=280
35	1	432 2171-01	Protective cover	Couvercle de protection	3	
36	1	432 3093-01	Cable set	Jeu de câbles	3	595/20757-



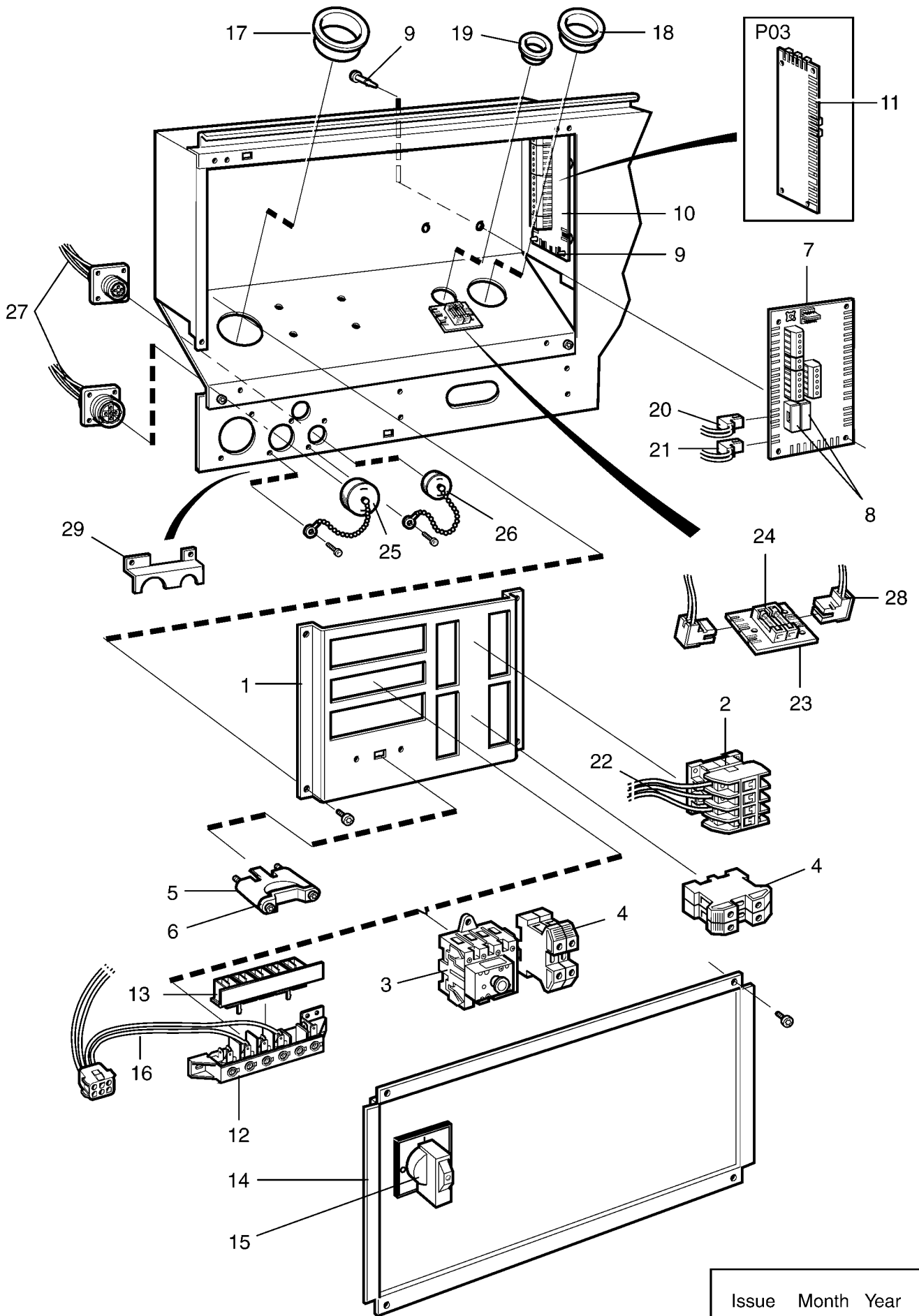
**E630,W630,W630c,W630s**

**Electric components Classic OL03**

**Composants électriques Classic OL03**

Illustration	Issue	Month	Year
Schéma	Issue	Month	Year
<b>101938/2</b>	<b>7</b>	<b>10</b>	<b>2009</b>

Item Article	Qua. Qua.	Art.No Réf. article	Description	Description	Info Info	Notes Remarques
<b>37</b>						Not used
<b>38</b>						Not used
<b>39</b>	1	<b>432 3095-05</b>	Cable set	Jeu de câbles	3	595/20757-
<b>40</b>	1	<b>432 3092-03</b>	Cable set	Jeu de câbles	3	595/20757-
<b>41</b>	1	<b>438 8701-04</b>	Frame	Châssis	3	595/20757-
<b>42</b>	1	<b>438 8701-03</b>	Multistik	Multi-grippe	1	595/20757-
<b>43</b>	1	<b>438 8701-05</b>	Multistik	Multi-grippe	1	595/20757-
<b>44</b>	1	<b>438 8701-06</b>	Multistik	Multi-grippe	1	595/20757-



Issue	Month	Year
03	02	04

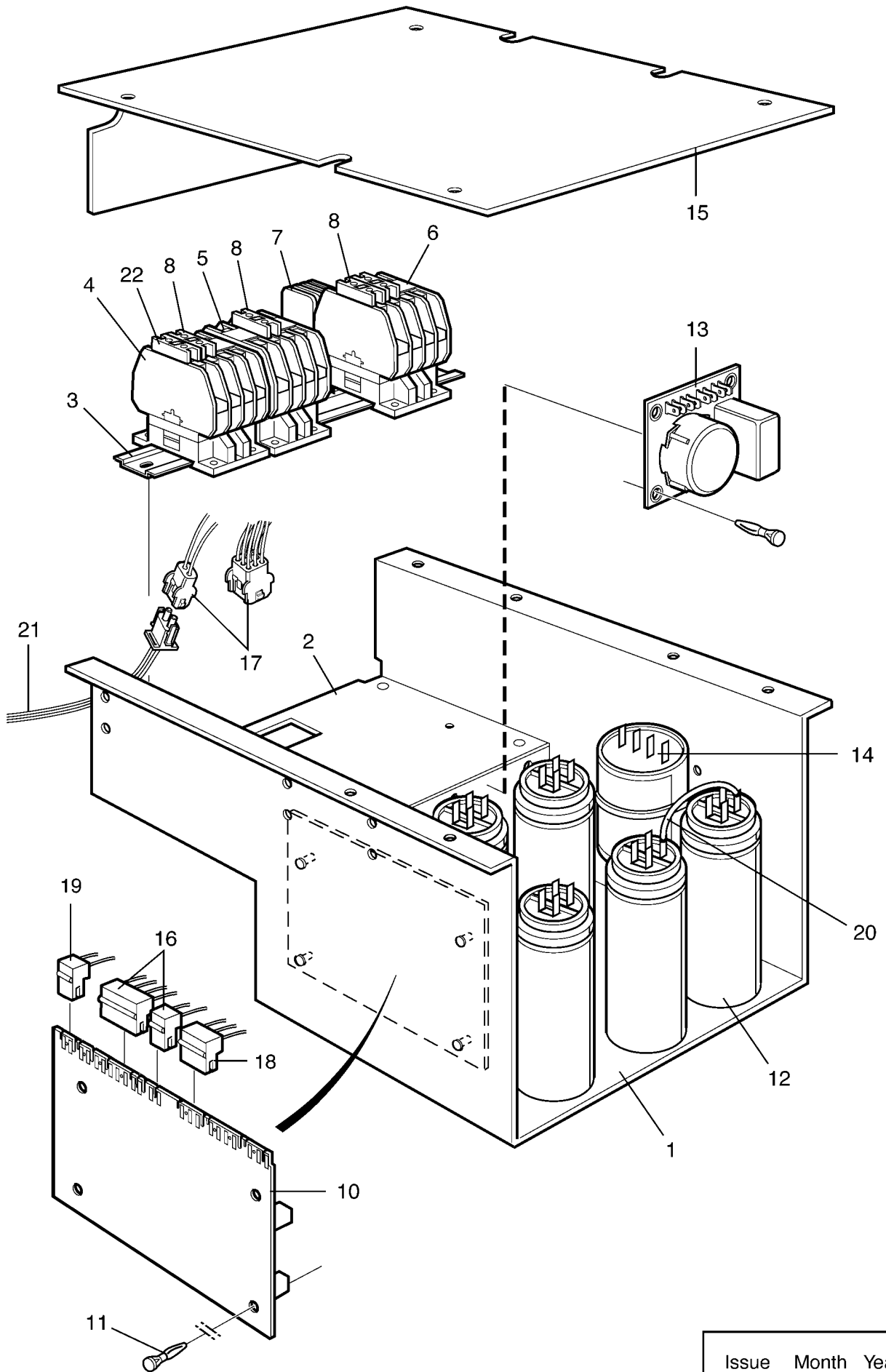
**E630,W630,W630c,W630s**

**Electric components connection**

**Composants électriques raccordement électrique**

Illustration Issue Month Year  
Schéma Issue Month Year  
**101947/2 7 2 2005**

Item Article	Qua. Qua.	Art.No Réf. article	Description	Description	Info Info	Notes Remarques
1	1	432 2154-01	Mounting plate	Plaque de montage	3	
2	1	471 9635-11	Contacteur	Relais	1,2	50Hz
	1	471 9635-10	Contacteur	Relais	1,2	60Hz
3	1	438 9678-01	Main switch	Main switch	3	3-pole, 30A
	1	438 9678-11	Main switch	Main switch	3	4-pole, 30A
	1	438 9678-12	Main switch	Main switch	3	4-pole, 40A
4	2	471 8767-01	Block	Cale	3	SL10
5	1	471 7859-12	Clamp	Attache	3	Lower part
6	1	471 7859-16	Clamp	Attache	3	Upper part
7	1	438 8785-02	Printed circuit board	Circuit imprimé	1,2	Exacta
	1	438 8786-02	Printed circuit board	Circuit imprimé	1,2	Clarus
	1	438 8788-01	Printed circuit board	Circuit imprimé	1,2	Classic OG01, OL02
8	2	471 8750-11	•Fuse	•Porte-fusible	1,2	1,25A
9	Rq	471 7958-02	Support	Support	3	
10	1	438 8787-01	Printed circuit board	Circuit imprimé	1,2	Clarus
11	1	438 8789-01	Printed circuit board	Circuit imprimé	1,2	Classic OL03
12	1	471 8759-01	Block	Cale	3	
13	1	471 8759-51	Cover	Couvercle	3	
14	1	432 2156-11	Cover	Couvercle	3	With hole
	1	432 2156-12	Cover	Couvercle	3	Without hole
15	1	471 9678-94	Knob	Bouton de porte	1	
16	1	432 2986-01	Cable set	Jeu de câbles	3	-595/16652
	1	432 3086-01	Cable set	Jeu de câbles	3	595/16653-
17	1	762 1215-10	Grommet	Oeillet	3	Ø48/35mm
18	1	762 1215-10	Grommet	Oeillet	3	Ø48/35mm
19	1	762 1182-10	Grommet	Oeillet	3	Ø22,2MM
20	1	432 3082-86	Cable set	Jeu de câbles	3	-595/16652
	1	432 3092-86	Cable set	Jeu de câbles	3	595/16653-
21	1	432 3182-52	Cable set	Jeu de câbles	3	-595/16652
	1	432 3192-52	Cable set	Jeu de câbles	3	595/16653-
22	3	432 2954-01	Cable set	Jeu de câbles	3	400V 3AC
	3	432 2954-02	Cable set	Jeu de câbles	3	230V 3AC
	4	432 2954-02	Cable set	Jeu de câbles	3	230V 1AC
23	1	438 8797-01	Printed circuit board	Circuit imprimé	1,2	
24	2	471 8750-11	•Fuse	•Porte-fusible	1,2	1,25A
25	1	438 7950-02	Cover washer	Rondelle protection	3	14-pole
26	1	438 7950-01	Cover washer	Rondelle protection	3	4-pole
27	1	432 2945-01	Cable set	Jeu de câbles	3	-595/16652
	1	432 3045-01	Cable set	Jeu de câbles	3	595/16653-
28	1	432 3082-25	Cable set	Jeu de câbles	3	-595/16652
	1	432 3092-25	Cable set	Jeu de câbles	3	595/16653-
29	1	432 1220-01	Cover	Couvercle	3	



Issue	Month	Year
03	03	05

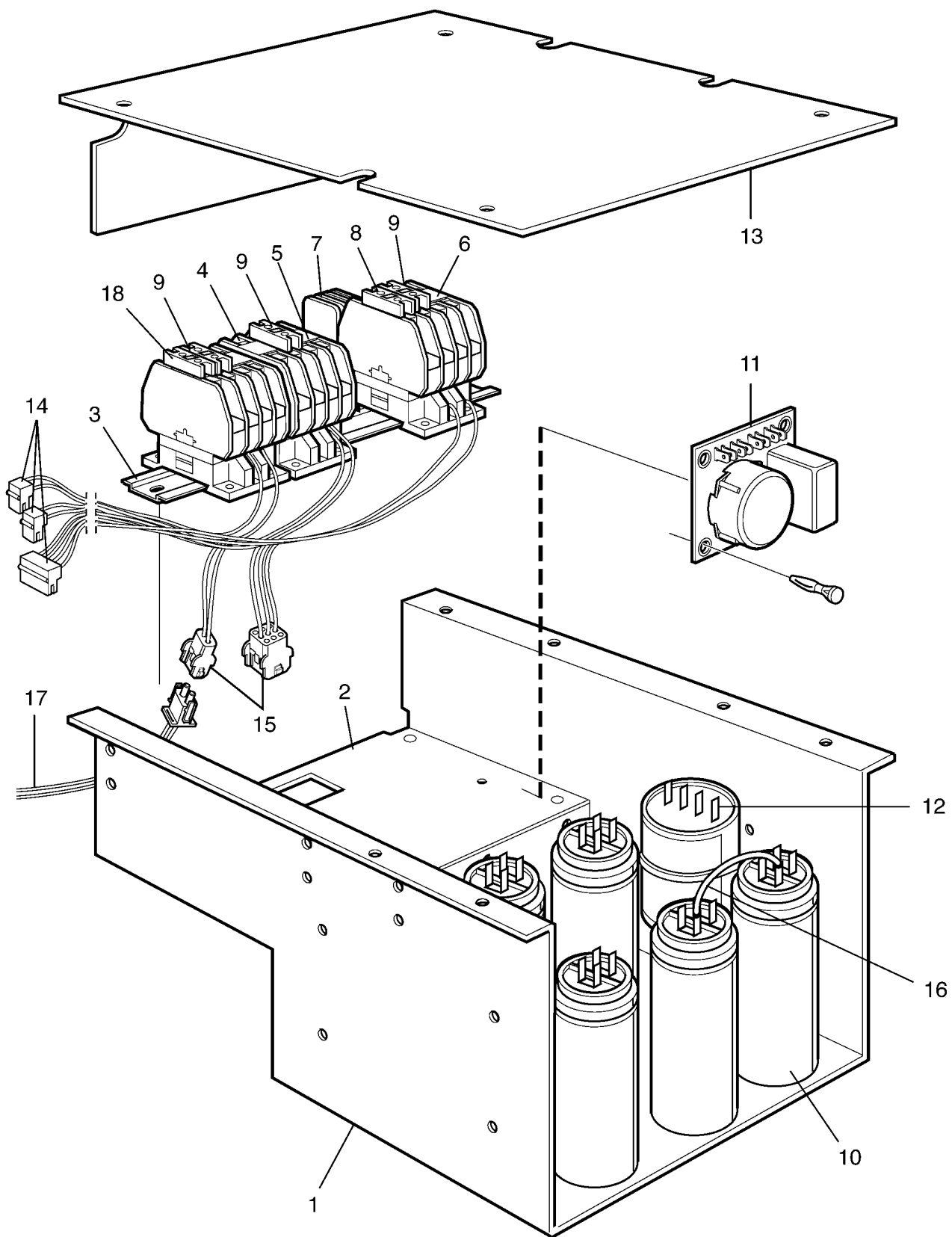
**E630,W630,W630c,W630s**

**Electric components 1AC**

**Composants électriques 1AC**

Illustration Issue Month Year  
Schéma Issue Month Year  
**101941/3 5 12 2004**

Item Article	Qua. Qua.	Art.No Réf. article	Description	Description	Info Info	Notes Remarques
1	1	432 2169-01	Component plate	Plaque composants	3	
2	1	432 2196-01	Mounting plate	Plaque d'assemblage	3	
3	1	471 7182-26	Rail	Support	3	
4	1	438 9636-03	Contacteur	Relais	1,2	60Hz
5	1	438 9636-03	Contacteur	Relais	1,2	60Hz
6	1	438 9636-03	Contacteur	Relais	1,2	60Hz
7	1	471 9604-01	Mains current breaker	Disjoncteur	1	9,75±0,25A
8	1	767 5102-92	Auxiliary contact	Contact de secours	1	HN01 Red
9	-					Not used
10	1	471 8992-13	Printed circuit board	Circuit imprimé	1,2	RDC
11	4	471 7958-02	Support	Support	3	
12	-		Capacitor	Condensateur		See illustr. 101943
13	1	471 9501-02	LC-filter	Filtre LC	1	
14	1	471 9566-05	Sinpac	Sinpac	1,2	208-240V SINPAC
15	1	432 2172-01	Cover	Couvercle	3	
16	1	432 2971-03	Cable set	Jeu de câbles	3	RDC -595/16652
	1	432 3071-03	Cable set	Jeu de câbles	3	595/16653-
17	1	432 2964-02	Cable set	Jeu de câbles	3	With filter
	1	432 2964-03	Cable set	Jeu de câbles	3	Without filter
	1	432 2964-02	Cable set	Jeu de câbles	3	With filter With Sinpac
	1	432 2964-03	Cable set	Jeu de câbles	3	Without filter With Sinpac
18	1	432 3182-30	Cable set	Jeu de câbles	3	
19	1	432 3082-37	Cable set	Jeu de câbles	3	-595/16652
	1	432 3092-37	Cable set	Jeu de câbles	3	595/16653-
20	1	432 2966-01	Cable set	Jeu de câbles	3	
21	1	432 2960-04	Cable set	Jeu de câbles	3	1AC X1-X311, Terminal block
	1	432 2960-01	Cable set	Jeu de câbles	3	X1-X311, Main switch





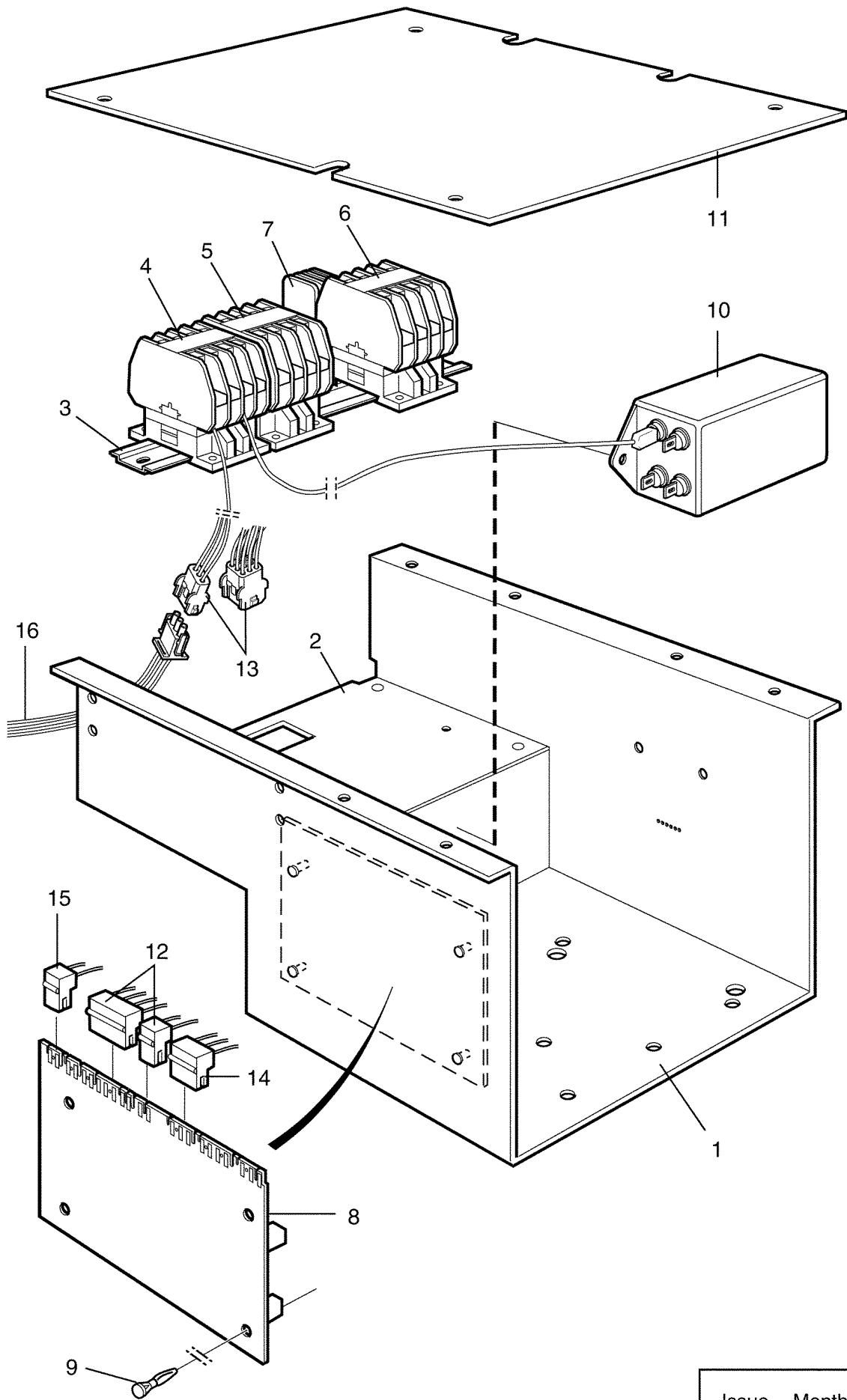
**E630,W630,W630c,W630s**

**Electric components Classic 1AC**

**Composants électriques Classic 1AC**

Illustration Issue Month Year  
Schéma Issue Month Year  
**101940/3 5 3 2005**

Item Article	Qua. Qua.	Art.No Réf. article	Description	Description	Info Info	Notes Remarques
<b>1</b>	1	<b>432 2169-01</b>	Component plate	Plaque composants	3	
<b>2</b>	1	<b>432 2196-01</b>	Mounting plate	Plaque d'assemblage	3	
<b>3</b>	1	<b>471 7182-26</b>	Rail	Support	3	
<b>4</b>	1	<b>438 9636-03</b>	Contacteur	Relais	1,2	60Hz
<b>5</b>	1	<b>438 9636-03</b>	Contacteur	Relais	1,2	60Hz
<b>6</b>	1	<b>438 9636-03</b>	Contacteur	Relais	1,2	60Hz
<b>7</b>	-					Not used
<b>8</b>	2	<b>767 5102-92</b>	Auxiliary contact	Contact de secours	1	HN01 Red
<b>9</b>	4	<b>767 5101-92</b>	Auxiliary contact	Contact de secours	1	HN10 Green
<b>10</b>	-		Capacitor	Condensateur	1	See illustr. 101943
<b>11</b>	1	<b>471 9501-02</b>	LC-filter	Filtre LC	1	
<b>12</b>	1	<b>471 9566-05</b>	Sinpac	Sinpac	1,2	208-240V SINPAC
<b>13</b>	1	<b>432 2172-01</b>	Cover	Couvercle	3	
<b>14</b>	1	<b>432 2972-01</b>	Cable set	Jeu de câbles	3	-595/16652
	1	<b>432 3072-01</b>	Cable set	Jeu de câbles	3	595/16653-
<b>15</b>	1	<b>432 2962-02</b>	Cable set	Jeu de câbles	3	With filter Without Sinpac
	1	<b>432 2962-03</b>	Cable set	Jeu de câbles	3	Without filter Without Sinpac
	1	<b>432 2964-02</b>	Cable set	Jeu de câbles	3	With filter With Sinpac
	1	<b>432 2964-03</b>	Cable set	Jeu de câbles	3	Without filter With Sinpac
<b>16</b>	Rq	<b>432 2966-01</b>	Cable set	Jeu de câbles	3	
<b>17</b>	1	<b>432 2960-04</b>	Cable set	Jeu de câbles	3	1AC X1-X311, Terminal block
	1	<b>432 2960-01</b>	Cable set	Jeu de câbles	3	X1-X311, Main switch



Issue	Month	Year
03	05	03

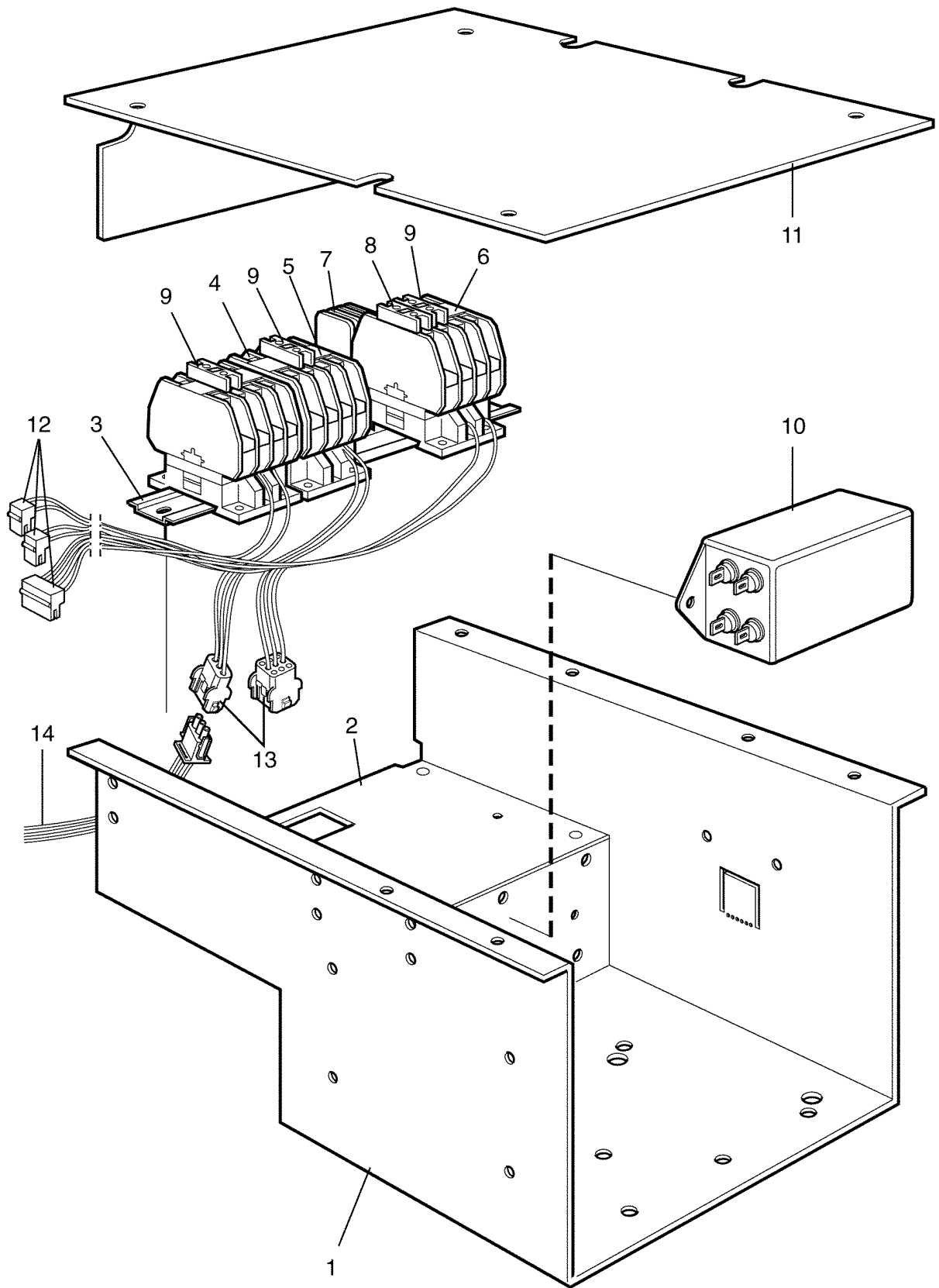
**E630,W630,W630c,W630s**

**Electric components 3AC**

**Composants électriques 3AC**

Illustration Issue Month Year  
Schéma Issue Month Year  
**101939/3 6 8 2006**

Item Article	Qua. Qua.	Art.No Réf. article	Description	Description	Info Info	Notes Remarques
<b>1</b>	1	<b>432 2169-01</b>	Component plate	Plaque composants	3	
<b>2</b>	1	<b>432 2196-01</b>	Mounting plate	Plaque d'assemblage	3	
<b>3</b>	1	<b>471 7182-26</b>	Rail	Support	3	
<b>4</b>	1	<b>438 9636-02</b>	Contacteur	Relais	1,2	50Hz
	1	<b>438 9636-03</b>	Contacteur	Relais	1,2	60Hz
<b>5</b>	1	<b>438 9636-02</b>	Contacteur	Relais	1,2	50Hz
	1	<b>438 9636-03</b>	Contacteur	Relais	1,2	60Hz
<b>6</b>	1	<b>438 9636-02</b>	Contacteur	Relais	1,2	50Hz
	1	<b>438 9636-03</b>	Contacteur	Relais	1,2	60Hz
<b>7</b>						Not used
<b>8</b>	1	<b>471 8992-13</b>	Printed circuit board	Circuit imprimé	1,2	RDC
<b>9</b>	4	<b>471 7958-02</b>	Support	Support	3	
<b>10</b>	1	<b>471 9529-05</b>	LC-filter	Filtre LC	1	
<b>11</b>	1	<b>432 2172-01</b>	Cover	Couvercle	3	
<b>12</b>	1	<b>432 2971-01</b>	Cable set	Jeu de câbles	3	RDC -595/16652
	1	<b>432 3071-01</b>	Cable set	Jeu de câbles	3	595/16653-
<b>13</b>	1	<b>432 2963-02</b>	Cable set	Jeu de câbles	3	With filter
	1	<b>432 2963-03</b>	Cable set	Jeu de câbles	3	Without filter
<b>14</b>	1	<b>432 3182-30</b>	Cable set	Jeu de câbles	3	-595/16652
	1	<b>432 3192-30</b>	Cable set	Jeu de câbles	3	595/16653-
<b>15</b>	1	<b>432 3082-37</b>	Cable set	Jeu de câbles	3	-595/16652
	1	<b>432 3092-37</b>	Cable set	Jeu de câbles	3	595/16653-
<b>16</b>	1	<b>432 2961-02</b>	Cable set	Jeu de câbles	3	3AC X1-X311, Terminal block
	1	<b>432 2961-01</b>	Cable set	Jeu de câbles	3	3AC X1-X311, Main switch



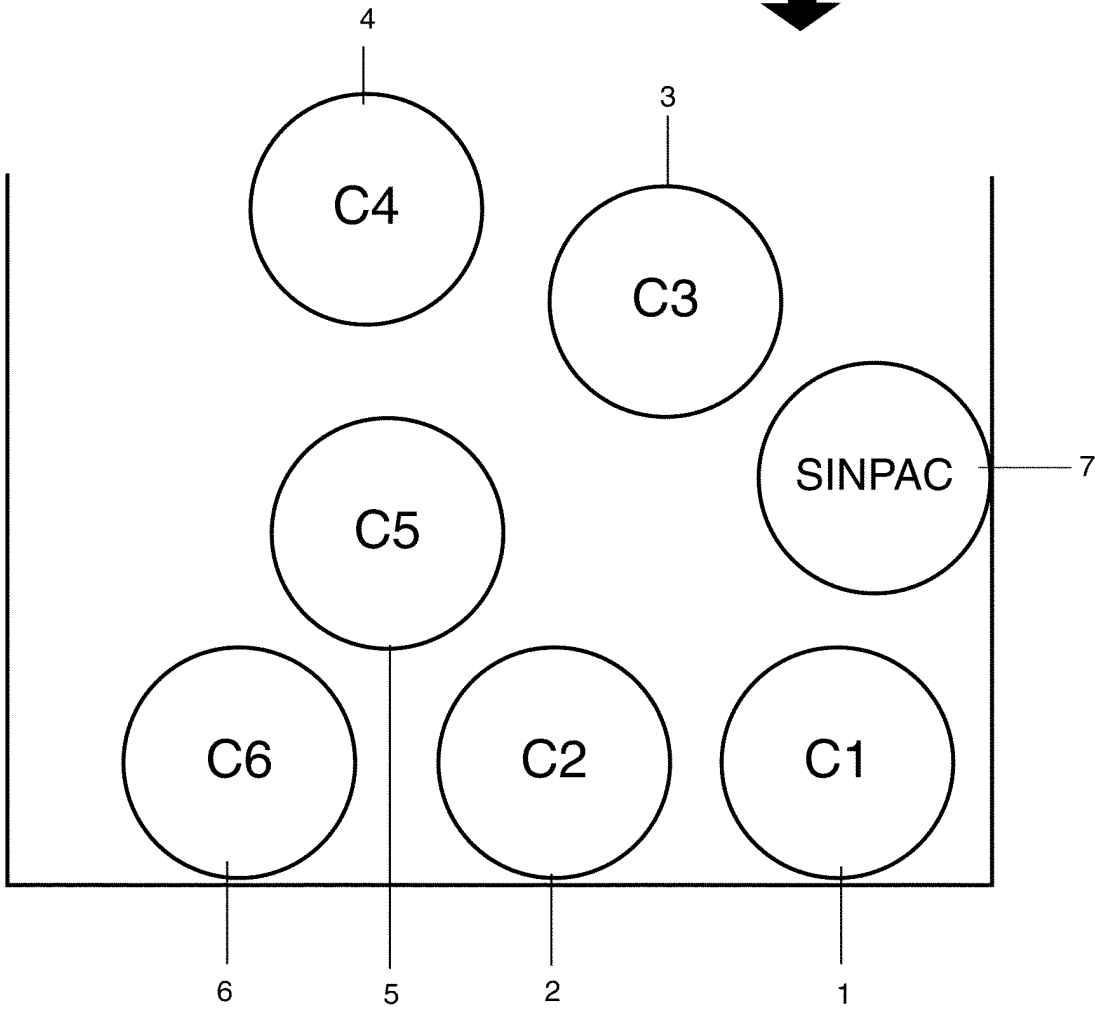
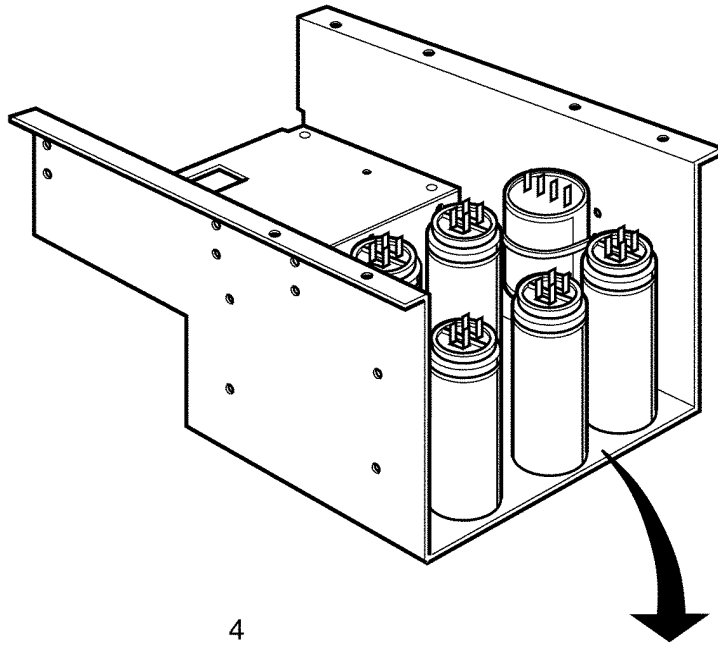
**E630,W630,W630c,W630s**

**Electric components Classic 3AC**

**Composants électriques Classic 3AC**

Illustration Issue Month Year  
Schéma Issue Month Year  
**101942/2 5 9 2005**

Item Article	Qua. Qua.	Art.No Réf. article	Description	Description	Info Info	Notes Remarques
<b>1</b>	1	<b>432 2169-01</b>	Component plate	Plaque composants	3	
<b>2</b>	1	<b>432 2196-01</b>	Mounting plate	Plaque d'assemblage	3	
<b>3</b>	1	<b>471 7182-26</b>	Rail	Support	3	
<b>4</b>	1	<b>438 9636-02</b>	Contacteur	Relais	1,2	50Hz
	1	<b>438 9636-03</b>	Contacteur	Relais	1,2	60Hz
<b>5</b>	1	<b>438 9636-02</b>	Contacteur	Relais	1,2	50Hz
	1	<b>438 9636-03</b>	Contacteur	Relais	1,2	60Hz
<b>6</b>	1	<b>438 9636-02</b>	Contacteur	Relais	1,2	50Hz
	1	<b>438 9636-03</b>	Contacteur	Relais	1,2	60Hz
<b>7</b>						Not used
<b>8</b>	1	<b>767 5102-92</b>	Auxiliary contact	Contact de secours	1	HN01 Red
<b>9</b>	4	<b>767 5101-92</b>	Auxiliary contact	Contact de secours	1	HN10 Green
<b>10</b>	1	<b>471 9529-05</b>	LC-filter	Filtre LC	1	
<b>11</b>	1	<b>432 2172-01</b>	Cover	Couvercle	3	
<b>12</b>	1	<b>432 2972-01</b>	Cable set	Jeu de câbles	3	-595/16652
	1	<b>432 3072-01</b>	Cable set	Jeu de câbles	3	595/16653-
<b>13</b>	1	<b>432 2963-02</b>	Cable set	Jeu de câbles	3	With filter
	1	<b>432 2963-03</b>	Cable set	Jeu de câbles	3	Without filter



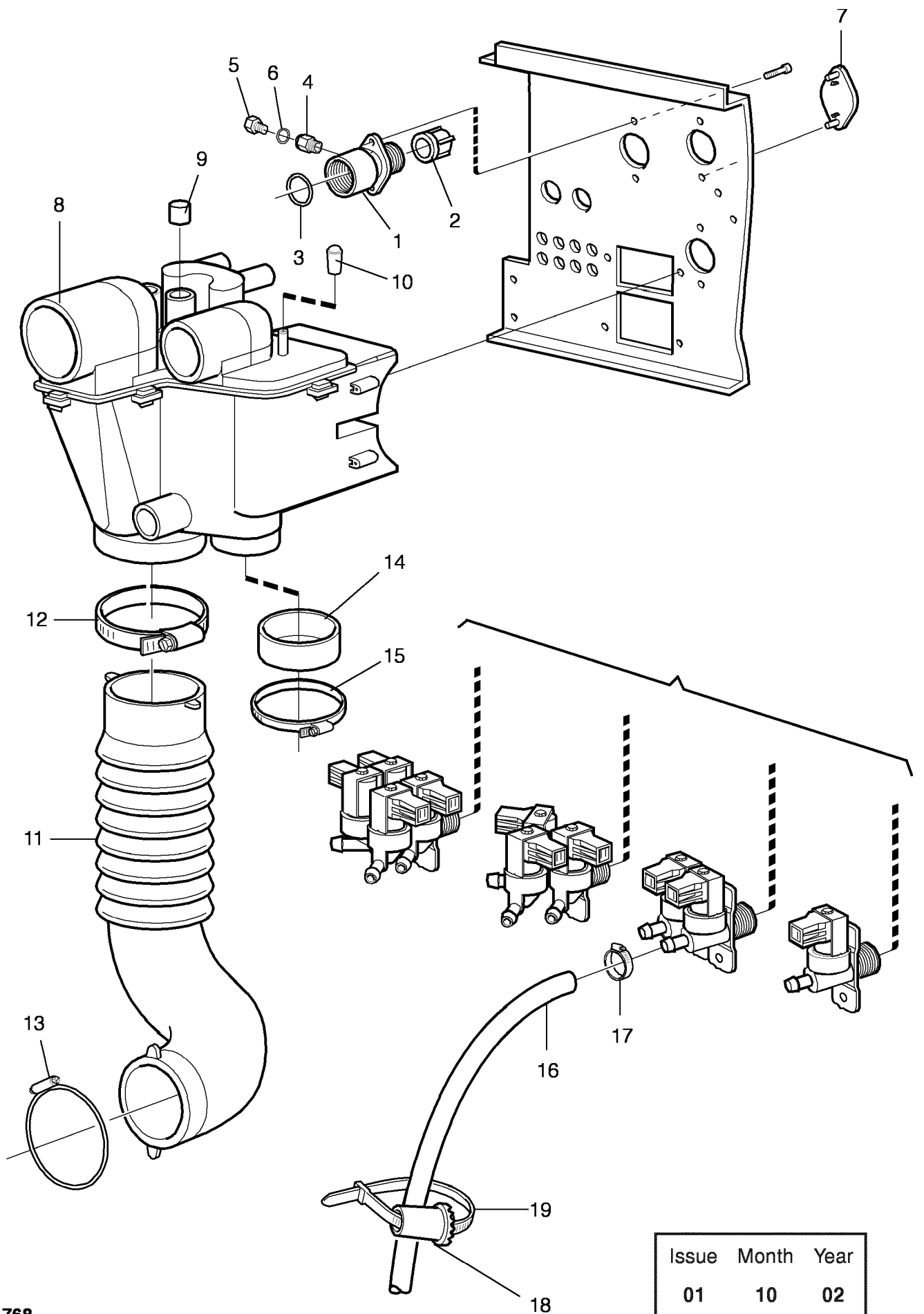
**E630,W630,W630c,W630s**

**Capacitor**

**Condensateur**

Illustration Issue Month Year  
Schéma Issue Month Year  
**101943/1 4 9 2005**

Item Article	Qua. Qua.	Art.No Réf. article	Description	Description	Info Info	Notes Remarques
<b>1</b>	1	<b>471 9525-31</b>	Capacitor	Condensateur	1	35MF
<b>2</b>	-					Not used
<b>3</b>	1	<b>471 9525-25</b>	Capacitor	Condensateur	1	130MF
<b>4</b>	-					Not used
<b>5</b>	1	<b>471 9525-27</b>	Capacitor	Condensateur	1	30MF
	1	<b>471 9525-24</b>	Capacitor	Condensateur	1	40MF
<b>6</b>	-					NOT USED
<b>7</b>	1	<b>471 9566-05</b>	Sinpac	Sinpac	1	208-240V



Issue	Month	Year
01	10	02



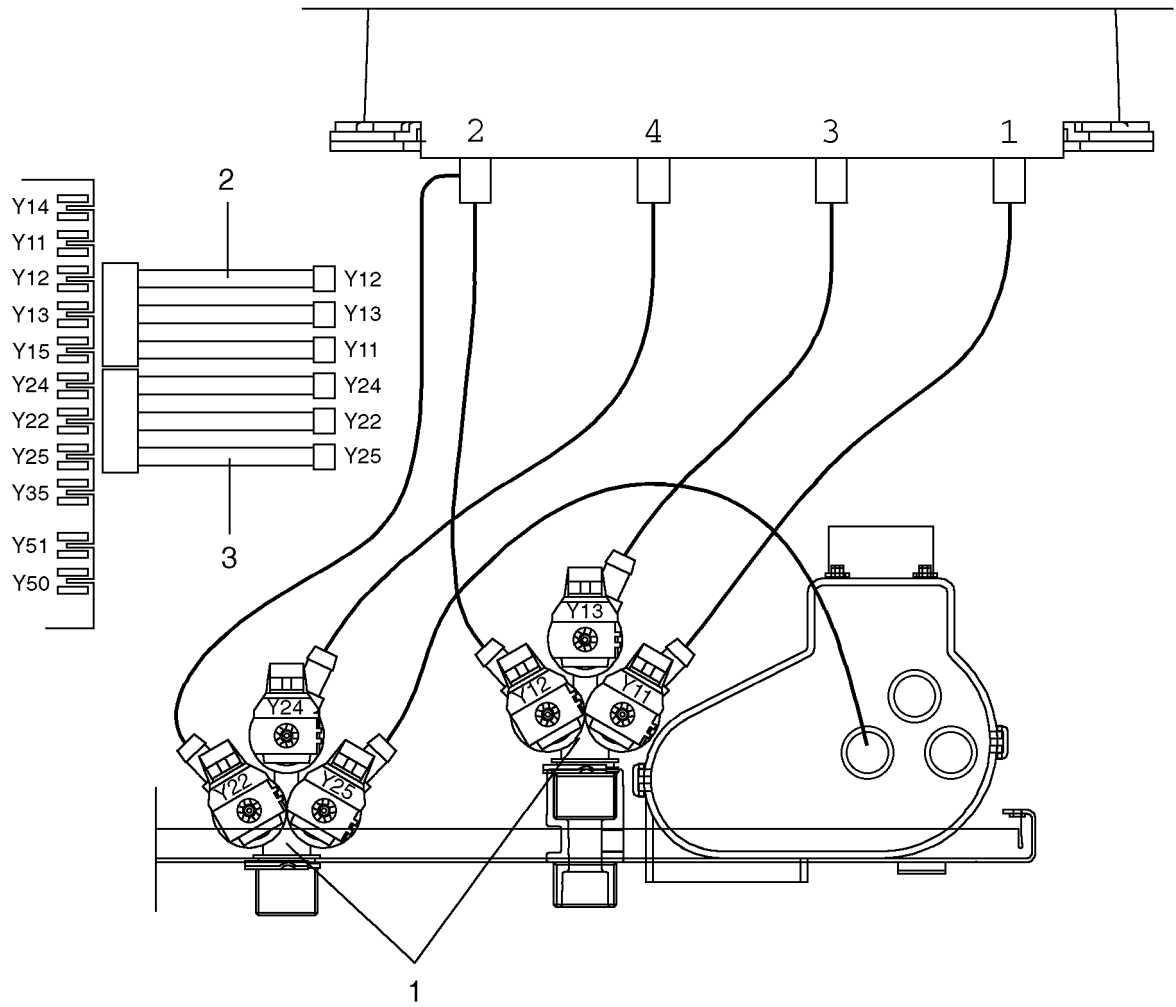
**E630,W630,W630c,W630s**

**Water connections**

Illustration Issue Month Year  
Schéma Issue Month Year  
**101768/4 5 7 2003**

**Raccords d'eau**

Item Article	Qua. Qua.	Art.No Réf. article	Description	Description	Info Info	Notes Remarques
<b>1</b>	1	<b>438 0056-03</b>	Nipple	Raccord	3	Black, 3/4"
	1	<b>438 0056-04</b>	Nipple	Raccord	3	White, 3/4", USA
<b>2</b>	1	<b>471 8693-21</b>	Filter	Filtre	3	
<b>3</b>	1	<b>471 8199-01</b>	Gasket	Joint	3	
<b>4</b>	1	<b>471 8688-13</b>	Nipple	Raccord	3	1/8"
<b>5</b>	1	<b>741 5109-25</b>	Plug	Fiche	3	El-drain
<b>6</b>	1	<b>740 4206-00</b>	O-ring	Joint torique	3	El-drain
<b>7</b>	Rq	<b>472 6761-01</b>	Cover washer	Rondelle protection	3	
<b>8</b>	1	<b>432 2301-01</b>	Siphon breaker	Rupteur de siphon	3	
<b>9</b>	Rq	<b>471 8175-01</b>	Plug	Fiche	3	
<b>10</b>	1	<b>471 8644-02</b>	Plug	Fiche	3	
<b>11</b>	1	<b>432 2305-01</b>	Hose	Flexible	1	
<b>12</b>	1	<b>736 2846-51</b>	Hose clamp	Attache flexible	3	Ø73-83
<b>13</b>	1	<b>471 7871-08</b>	Hose clamp	Attache flexible	3	
<b>14</b>	-					Not used
<b>15</b>	-					Not used
<b>16</b>	Rq	<b>877 5211-08</b>	Hose	Flexible	1	Per 1 m
<b>17</b>	Rq	<b>736 2816-51</b>	Hose clamp	Attache flexible	3	Ø13-19
<b>18</b>	1	<b>471 4792-01</b>	Tool	Outil	1	
<b>19</b>	1	<b>762 9102-05</b>	Cable tie	Collier de serrage	3	



Issue	Month	Year
01	10	02

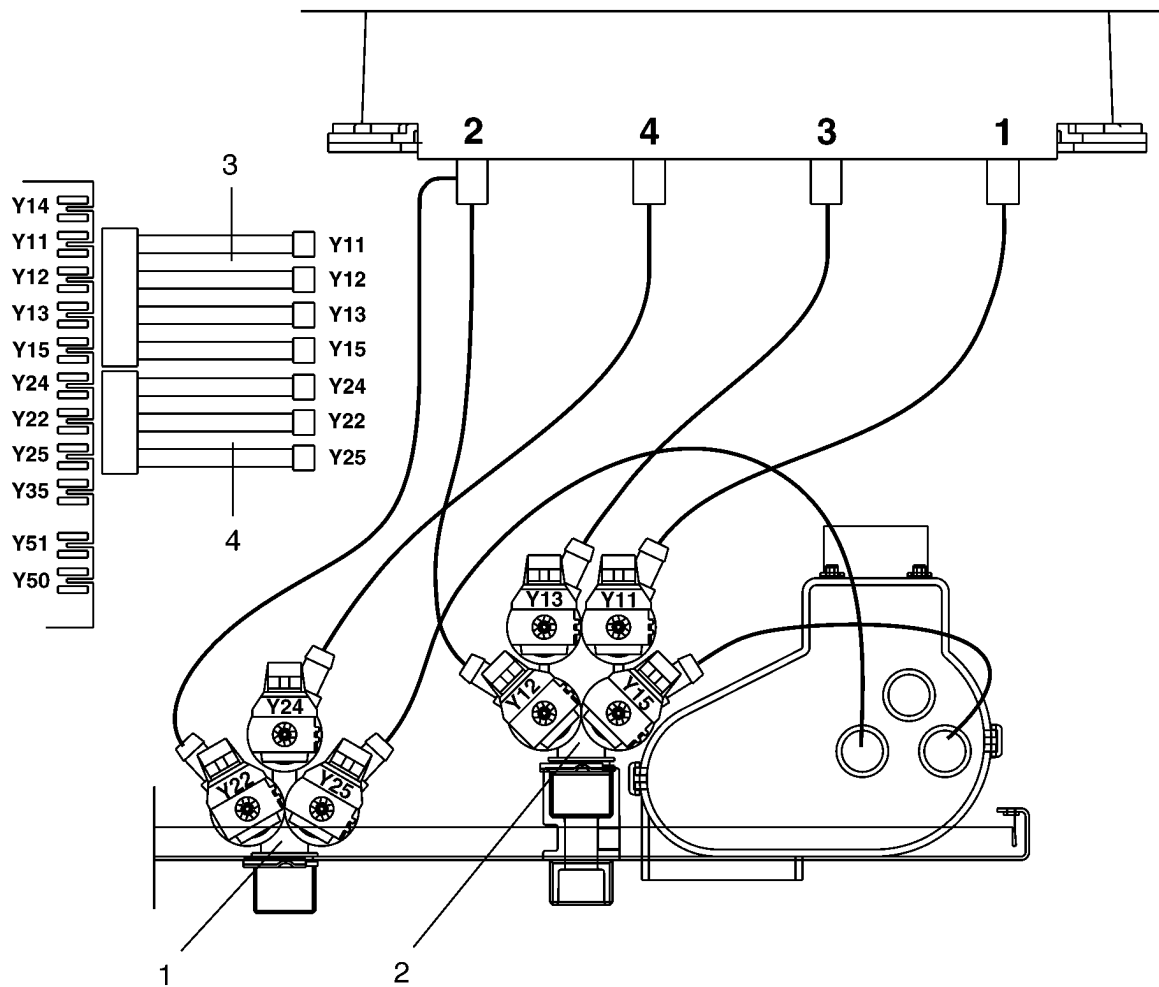
**E630,W630,W630c,W630s**

**Inlet valves and cable set**

**Inlet valves and cable set**

Illustration Issue Month Year  
Schéma Issue Month Year  
**101779/2 5 9 2004**

Item Article	Qua. Qua.	Art.No Réf. article	Description	Description	Info Info	Notes Remarques
<b>1</b>	2	<b>471 8236-76</b>	Valve	Electrovanne	1,2	3-way, 208-240V 50/60Hz, BSP
	2	<b>471 8236-78</b>	Valve	Electrovanne	1,2	3-way, 208-240V 50/60Hz, NH USA US
	2	<b>471 6860-18</b>	•Coil	•Bobine	1,2	208-240V Green
	2	<b>471 6860-19</b>	•Coil	•Bobine	1,2	208-240V Orange
	2	<b>471 6860-20</b>	•Coil	•Bobine	3	208-240V White
<b>2</b>	1	<b>432 3086-81</b>	Cable set	Jeu de câbles	3	X53:F-
<b>3</b>	1	<b>432 3086-60</b>	Cable set	Jeu de câbles	3	-595/16652
	1	<b>432 3096-60</b>	Cable set	Jeu de câbles	3	595/16653-



Issue	Month	Year
01	03	05

**E630,W630,W630c,W630s**

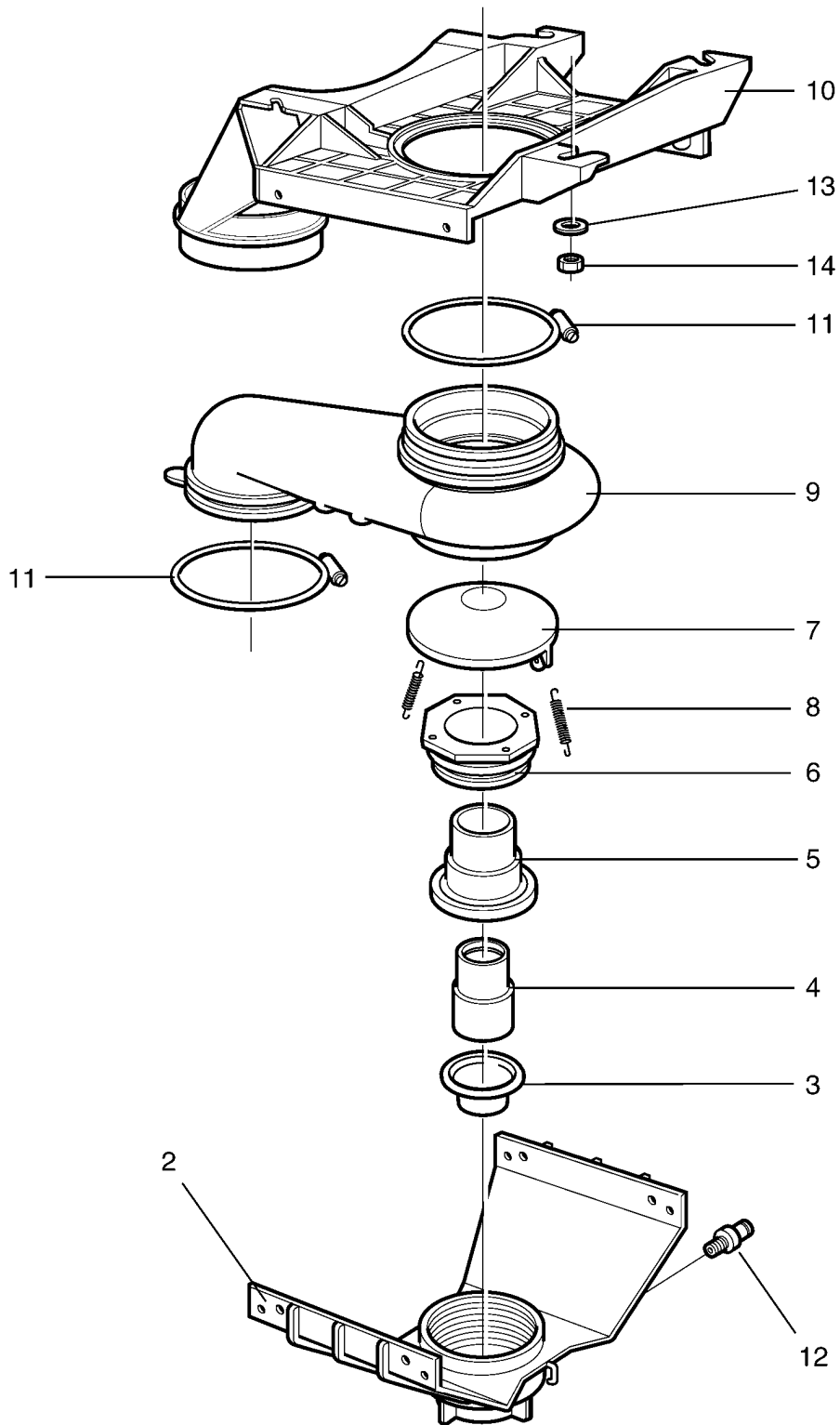
**Inlet valves and cable set**

**Inlet valves and cable set**

Illustration Issue Month Year  
Schéma Issue Month Year  
**101780/2 5 9 2004**

Item Article	Qua. Qua.	Art.No Réf. article	Description	Description	Info Info	Notes Remarques
<b>1</b>	1	<b>471 8236-76</b>	Valve	Electrovanne	1,2	3-way, 208-240V 50/60Hz, BSP
	1	<b>471 8236-78</b>	Valve	Electrovanne	1,2	3-way, 208-240V 50/60Hz, NH USA US
<b>2</b>	1	<b>471 6860-18</b>	•Coil	•Bobine	1,2	208-240V Green
	1	<b>471 6860-19</b>	•Coil	•Bobine	1,2	208-240V Orange
	1	<b>471 6860-20</b>	•Coil	•Bobine	1,2	208-240V White
	1	<b>471 8240-64</b>	Valve	Electrovanne	1,2	4-way, 208-240V 50/60Hz, BSP
<b>3</b>	1	<b>471 8240-68</b>	Valve	Electrovanne	1,2	4-way, 208-240V 50/60Hz, NH USA US
	1	<b>471 6860-18</b>	•Coil	•Bobine	1,2	208-240V Green
	1	<b>471 6860-19</b>	•Coil	•Bobine	1,2	208-240V Orange
	1	<b>471 6860-20</b>	•Coil	•Bobine	1,2	208-240V White
	1	<b>471 8240-91</b>	•Coil	•Bobine	1,2	208-240V Grey
	1	<b>432 3088-81</b>	Cable set	Jeu de câbles	3	X53:F- -595/16652
	1	<b>432 3098-81</b>	Cable set	Jeu de câbles	3	595/16653-
<b>4</b>	1	<b>432 3086-60</b>	Cable set	Jeu de câbles	3	-595/16652
	1	<b>432 3096-60</b>	Cable set	Jeu de câbles	3	595/16653-

1



Issue	Month	Year
04	03	05

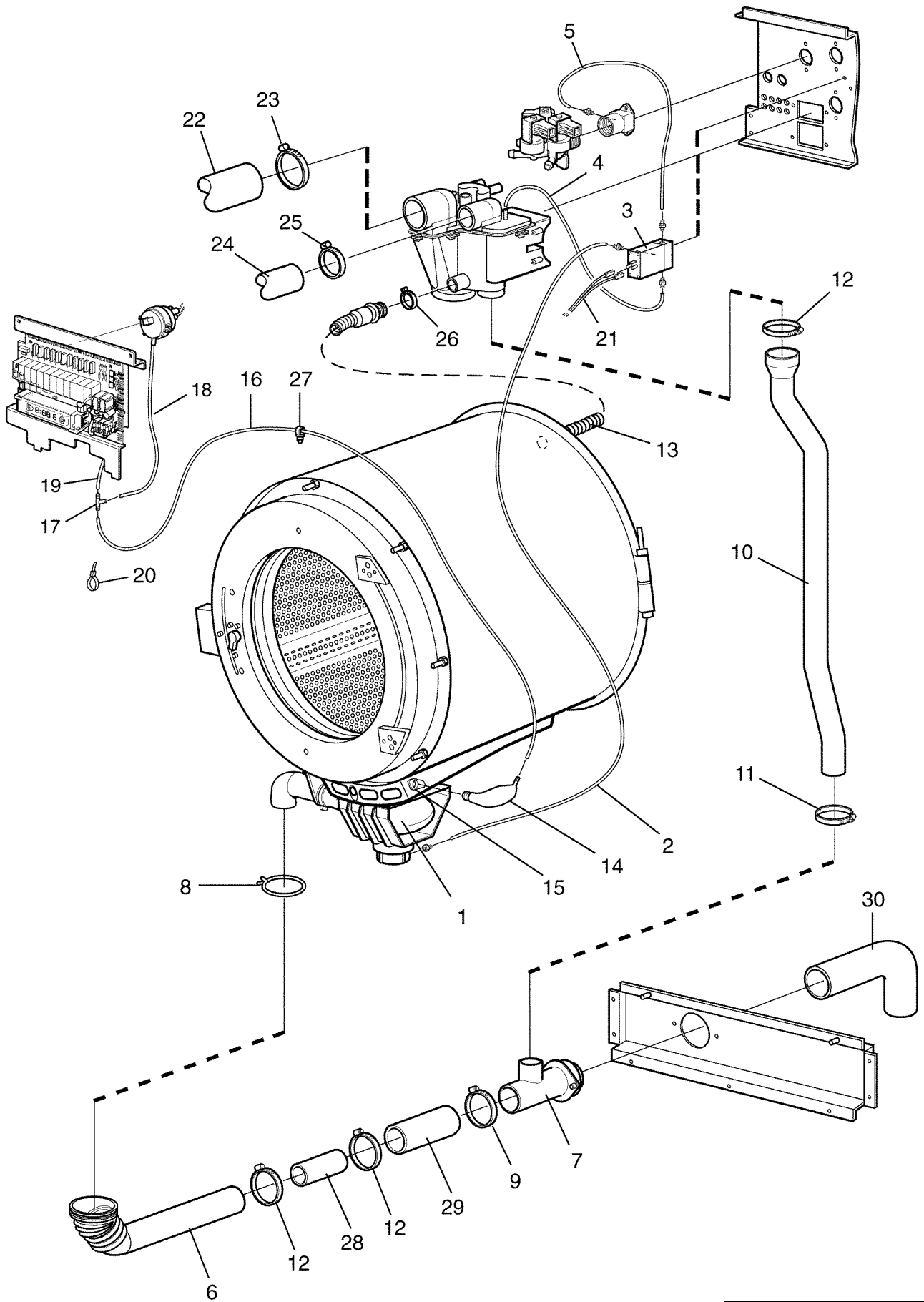
**E630,W630,W630c,W630s**

**Drain valve**

**Vanne de vidange**

Illustration Issue Month Year  
Schéma Issue Month Year  
**101772/4 4 11 2008**

Item Article	Qua. Qua.	Art.No Réf. article	Description	Description	Info Info	Notes Remarques
<b>1</b>	1	<b>432 2502-01</b>	Drain valve	Vanne de vidange	1,2	
<b>2</b>	1	<b>438 0051-01</b>	•Lower frame	•Châssis inférieur	3	
<b>3</b>	1	<b>471 8195-01</b>	•Diaphragm	•Diaphragme	1,2	
<b>4</b>	1	<b>438 0054-01</b>	•Piston	•Piston	3	
<b>5</b>	1	<b>438 0053-01</b>	•Housing	•Logement	3	
<b>6</b>	1	<b>438 0055-01</b>	•Gland	•Presse-étoupe	3	
<b>7</b>	1	<b>438 0052-01</b>	•Cover	•Couvercle	3	
<b>8</b>	2	<b>471 7818-01</b>	•Spring	•Ressort	1	
<b>9</b>	1	<b>432 2505-01</b>	•Hose housing	•Membrane de vidange	1,2	
<b>10</b>	1	<b>432 2501-01</b>	•Upper frame	•Partie supérieure	3	
<b>11</b>	2	<b>471 7871-04</b>	•Hose clamp	•Attache flexible	3	
<b>12</b>	1	<b>471 8688-13</b>	•Nipple	•Raccord	1	1/8"
<b>13</b>	4	<b>734 1153-09</b>	Washer	Rondelle	3	BRB 6,4X12
<b>14</b>	4	<b>732 2116-42</b>	Locking nut	Contre-écrou	3	M6



Issue	Month	Year
03	12	02



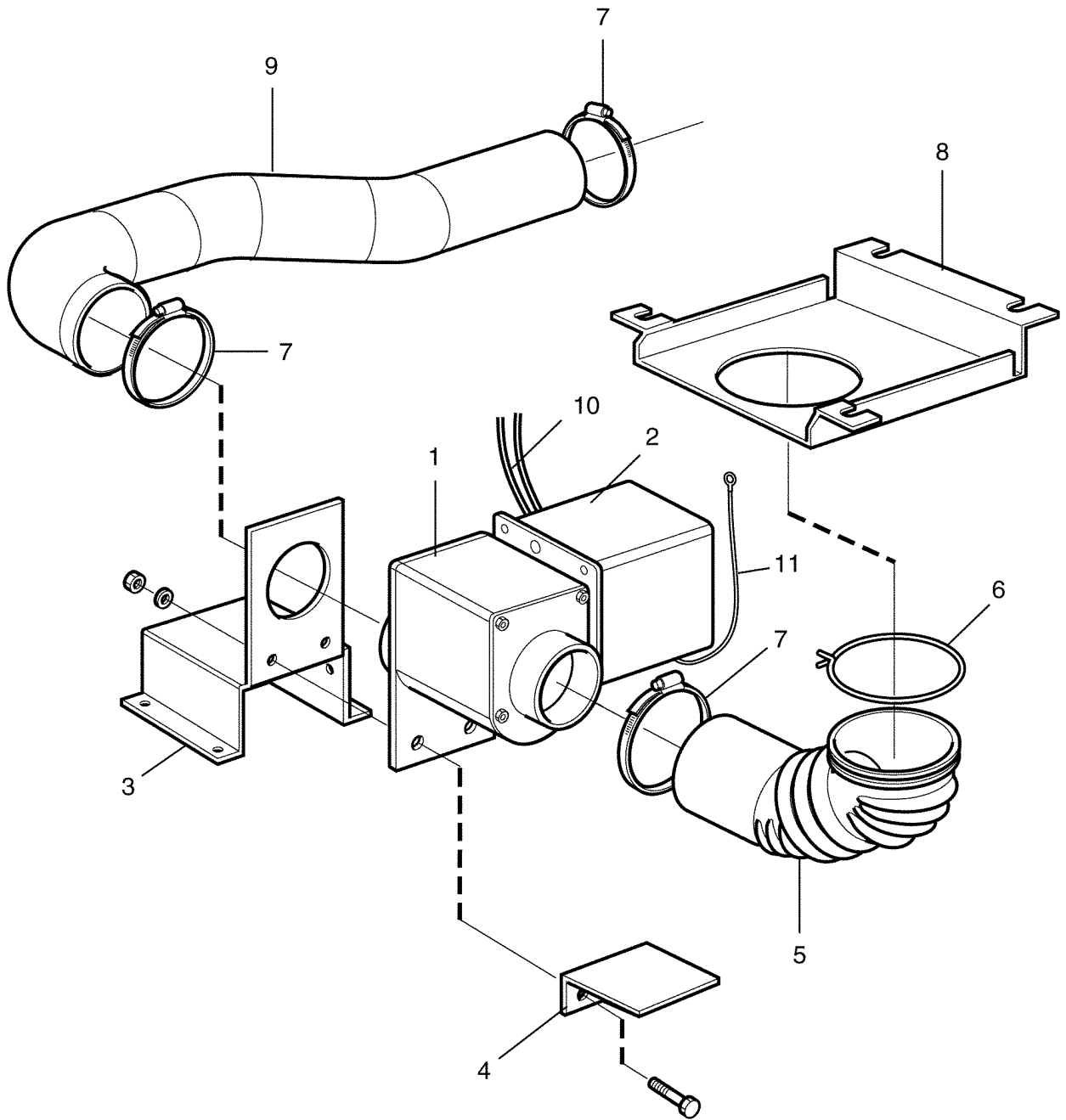
**E630,W630,W630c,W630s**

**Drain valve and hoses**

**Purgeur et flexible**

Illustration Issue Month Year  
Schéma Issue Month Year  
**101930/2 6 10 2005**

Item Article	Qua. Qua.	Art.No Réf. article	Description	Description	Info Info	Notes Remarques
<b>1</b>	1		Drain valve	Vanne de vidange		See illustr. 101772, 101921
<b>2</b>	1	<b>471 8139-11</b>	Hose	Flexible	1,2	L=1900
<b>3</b>	1	<b>471 8243-04</b>	Solenoid valve	Electrovanne	1,2	230V 50Hz -595/7939
	1	<b>471 8243-05</b>	Solenoid valve	Electrovanne	1,2	208-240V 60Hz -595/7939
	1	<b>471 8243-06</b>	Solenoid valve	Electrovanne	1,2	120V 60Hz -595/7939
	1	<b>471 8243-07</b>	Solenoid valve	Electrovanne	1,2	230V 50Hz 595/7940-
	1	<b>471 8243-08</b>	Solenoid valve	Electrovanne	1,2	208-240V 60Hz 595/7940-
	1	<b>471 8243-09</b>	Solenoid valve	Electrovanne	1,2	120V 60Hz 595/7940-
	1	<b>471 8243-10</b>	Solenoid valve	Electrovanne	1,2	230V 50/60Hz Japan 595/7940-
<b>4</b>	1	<b>471 8139-01</b>	Hose	Flexible	1,2	L=330 -595/7939
	1	<b>438 8102-06</b>	Hose	Flexible	1,2	L=330 595/7940-
<b>5</b>	1	<b>471 8139-01</b>	Hose	Flexible	1,2	L=330
<b>6</b>	1	<b>432 2515-01</b>	Hose	Flexible	1	-595/14090
	1	<b>432 2519-02</b>	Hose	Flexible	1	595/14091-
<b>7</b>	1	<b>432 2510-01</b>	Drain pipe connection	Raccord de vidange	3	-595/14090
	1	<b>432 2511-01</b>	Drain pipe connection	Raccord de vidange	3	595/14091-
<b>8</b>	1	<b>471 7871-07</b>	Hose clamp	Attache flexible	3	-595/14090
	1	<b>736 2846-51</b>	Hose clamp	Attache flexible	3	Ø73-83 595/14091-
<b>9</b>	1	<b>736 2837-51</b>	Hose clamp	Attache flexible	3	Ø48-54 -595/14090
	1	<b>736 2846-51</b>	Hose clamp	Attache flexible	3	Ø73-83 595/14091-
<b>10</b>	1	<b>432 2521-03</b>	Hose	Flexible	1	
<b>11</b>	1	<b>736 2831-51</b>	Hose clamp	Attache flexible	3	Ø36-42 -595/14090
<b>12</b>	3	<b>736 2837-51</b>	Hose clamp	Attache flexible	3	Ø48-54 -595/14090
<b>13</b>	1	<b>432 2508-01</b>	Hose	Flexible	1	
<b>14</b>	1	<b>432 2507-01</b>	Air tube	Chambre de compression	1	
<b>15</b>	1	<b>432 2506-01</b>	Connection	Connexion	3	
<b>16</b>	1	<b>471 2433-14</b>	Hose	Flexible	1,2	L=940
<b>17</b>	1	<b>471 2265-69</b>	T-pipe	Tube en T	3	
<b>18</b>	1	<b>471 2442-42</b>	Hose	Flexible	1	L=120 Clarus
	1	<b>471 2449-95</b>	Hose	Flexible	1	L=100 Exacta
<b>19</b>	1	<b>471 2464-18</b>	Hose	Flexible	1	L=280 Clarus
	1	<b>471 8118-02</b>	Hose	Flexible	1	L=60 Exacta
<b>20</b>	1	<b>471 7873-02</b>	Cable tie	Collier de serrage	3	
<b>21</b>	1	<b>432 3182-41</b>	Cable set	Jeu de câbles	3	X50
<b>22</b>	1	<b>471 8128-64</b>	Hose	Flexible	1	
<b>23</b>	1	<b>736 2840-51</b>	Hose clamp	Attache flexible	3	Ø50-63
<b>24</b>	1	<b>471 8124-03</b>	Hose	Flexible	1	
<b>25</b>	2	<b>736 2831-51</b>	Hose clamp	Attache flexible	3	Ø36-42
<b>26</b>	1	<b>736 2825-51</b>	Hose clamp	Attache flexible	3	Ø32
<b>27</b>						Not used
<b>28</b>	1	<b>471 8613-05</b>	Tube	Tube	3	Ø50, L=80
<b>29</b>	1	<b>471 8128-41</b>	Hose	Flexible	1	L=90, 1 1/2"
<b>30</b>	1	<b>471 4835-01</b>	Drain hose	Flexible de vidange	1	Ø75



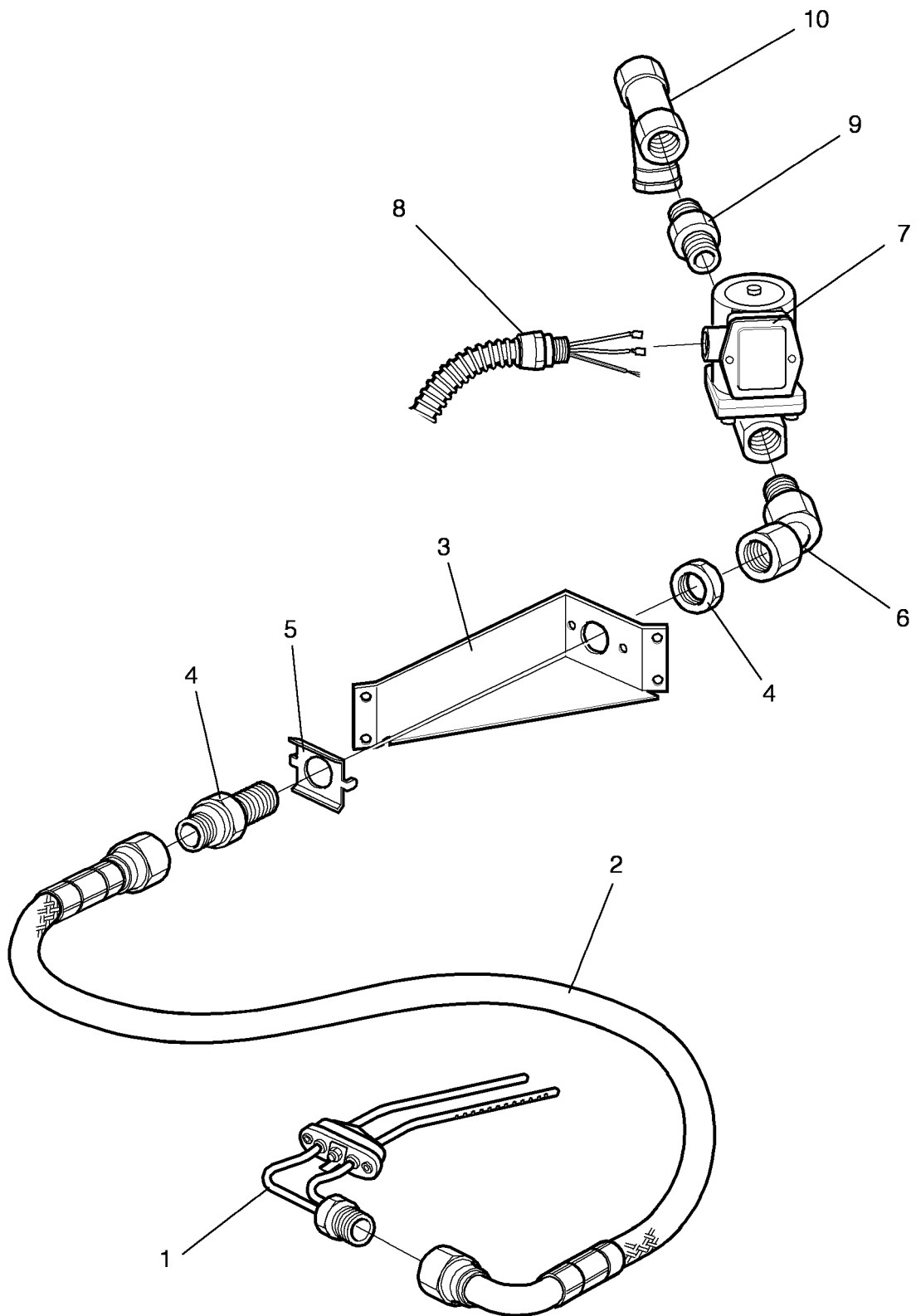
**E630,W630,W630c,W630s**

**Drain valve, electrical**

**Drain valve, electrical**

Illustration Issue Month Year  
Schéma Issue Month Year  
**101921/2 8 2 2006**

Item Article	Qua. Qua.	Art.No Réf. article	Description	Description	Info Info	Notes Remarques
<b>1</b>	1	<b>471 9219-65</b>	Drain valve	Vanne de vidange	1,2	50/60Hz -595/14090
	1	<b>471 8215-03</b>	Drain valve	Vanne de vidange	1,2	50/60Hz Normally closed
<b>2</b>	1	<b>432 2548-01</b>	Cover	Couvercle	3	
<b>3</b>	1	<b>432 2530-01</b>	Mounting plate	Plaque de montage	3	-595/14090
	1	<b>432 2531-02</b>	Mounting plate	Plaque de montage	3	595/14091-
<b>4</b>	1	<b>432 2536-01</b>	Support	Support	3	-595/14090
	1	<b>432 2537-01</b>	Support	Support	3	595/14091-
<b>5</b>	1	<b>432 2515-02</b>	Hose	Flexible	1	-595/14090
	1	<b>432 2516-04</b>	Hose	Flexible	1	595/14091-
<b>6</b>	1	<b>471 7871-07</b>	Hose clamp	Attache flexible	3	
<b>7</b>	3	<b>736 2837-51</b>	Hose clamp	Attache flexible	3	Ø48-54 -595/14090
	3	<b>736 2846-51</b>	Hose clamp	Attache flexible	3	Ø73-83 595/14091-
<b>8</b>	1	<b>432 2534-01</b>	Mounting plate	Plaque de montage	3	
<b>9</b>	1	<b>432 2517-02</b>	Hose	Flexible	1	-595/14090
	1	<b>432 2518-02</b>	Hose	Flexible		595/14091-
<b>10</b>	1	<b>432 2903-01</b>	Cable set	Jeu de câbles	3	-595/16652
	1	<b>432 3003-01</b>	Cable set	Jeu de câbles	3	595/16653-
<b>11</b>	1	<b>432 2982-10</b>	Ground cable	Câble mise terre	3	



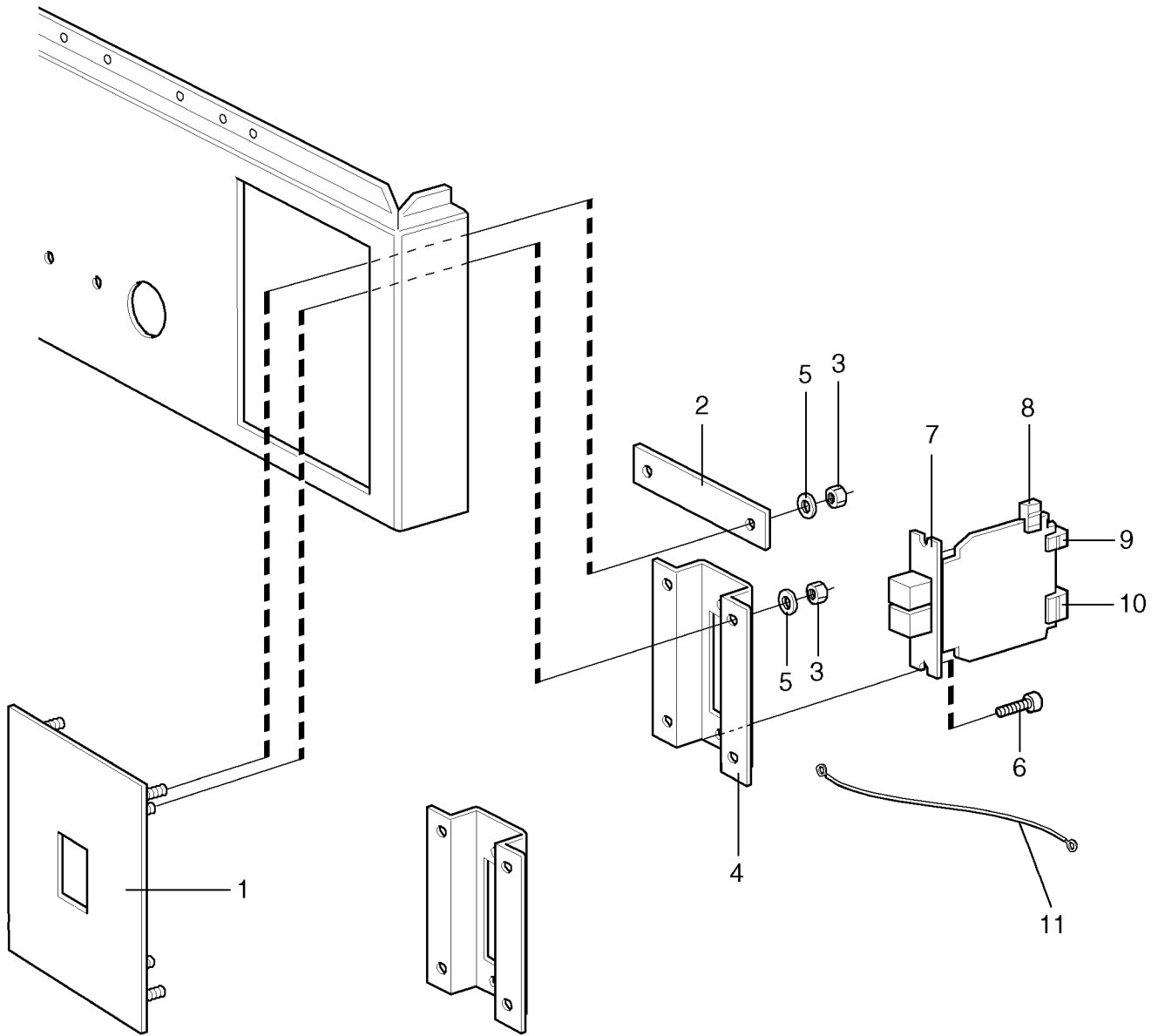
**E630,W630,W630c,W630s**

**Steam components**

Illustration Issue Month Year  
Schéma Issue Month Year  
**101918/1 3 7 2003**

**Composants**

Item Article	Qua. Qua.	Art.No Réf. article	Description	Description	Info Info	Notes Remarques
<b>1</b>	1	<b>432 1631-01</b>	Steam injector	Injecteur de vapeur	3	
<b>2</b>	1	<b>471 8126-27</b>	Steam hose	Tuyau flexible de vapeur	1	
<b>3</b>	1	<b>432 1673-01</b>	Bracket	Pupitre	3	
<b>4</b>	1	<b>471 8695-01</b>	Nipple	Raccord	3	
<b>5</b>	1	<b>471 2937-01</b>	Bracket	Support	3	
<b>6</b>	1	<b>471 8697-01</b>	Adapter	Adaptateur	3	
<b>7</b>	1	<b>471 8279-03</b>	Valve	Electrovanne	1,2	50/60 Hz
	1	<b>471 8279-08</b>	•Repair kit	•Kit de réparation	1,2	
<b>8</b>	1	<b>432 2958-01</b>	Cable set	Jeu de câbles	3	
<b>9</b>	1	<b>471 8624-01</b>	Nipple	Raccord	3	
<b>10</b>	1	<b>744 3113-06</b>	Filter	Filtre	3	1/2"



**E630,W630,W630c,W630s**

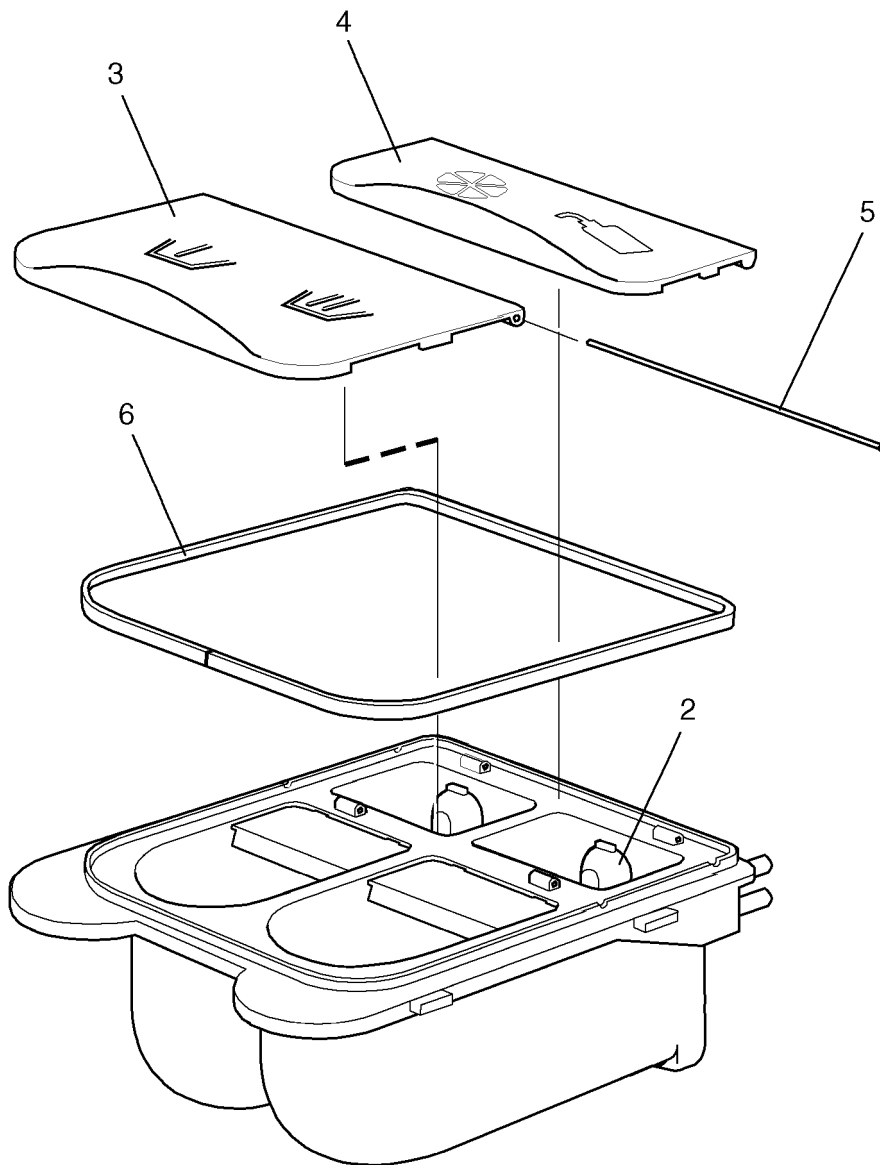
**Manual starter unit, Classic**

**Sans monnayeur unité de démarrage, Classic**

Illustration Issue Month Year  
Schéma Issue Month Year  
**101991/1 2 9 2004**

Item Article	Qua. Qua.	Art.No Réf. article	Description	Description	Info Info	Notes Remarques
<b>1</b>	1	<b>432 2150-06</b>	Cover plate	Couvercle	3	2-button
	1	<b>432 2150-07</b>	Cover plate	Couvercle	3	1-button
<b>2</b>	2	<b>432 2181-01</b>	Bracket	Support de montage	3	
<b>3</b>	8	<b>732 2112-01</b>	Locking nut	Contre-écrou	3	M4
<b>4</b>	1	<b>471 4904-02</b>	Bracket	Pupitre	3	
<b>5</b>	8	<b>735 2136-01</b>	Lock washer	Rondelle d'arrêt	3	AZ 4,3
<b>6</b>	2	<b>725 2289-61</b>	Screw	Vis	3	M4X10
<b>7</b>	1	<b>438 9648-01</b>	Pushbutton pad	Rang bouton-poussoir	1,2	2-button
	1	<b>438 9648-02</b>	Pushbutton pad	Rang bouton-poussoir	1,2	1-button
<b>8</b>	1	<b>432 3082-40</b>	Cable set	Jeu de câbles	3	-595/16652
	1	<b>432 3092-40</b>	Cable set	Jeu de câbles	3	595/16653-
<b>9</b>	1	<b>432 3082-44</b>	Cable set	Jeu de câbles	3	-595/16652
	1	<b>432 3092-44</b>	Cable set	Jeu de câbles	3	595/16653-
<b>10</b>	1	<b>432 3084-06</b>	Cable set	Jeu de câbles	3	-595/16652
	1	<b>432 3094-06</b>	Cable set	Jeu de câbles	3	595/16653-

1





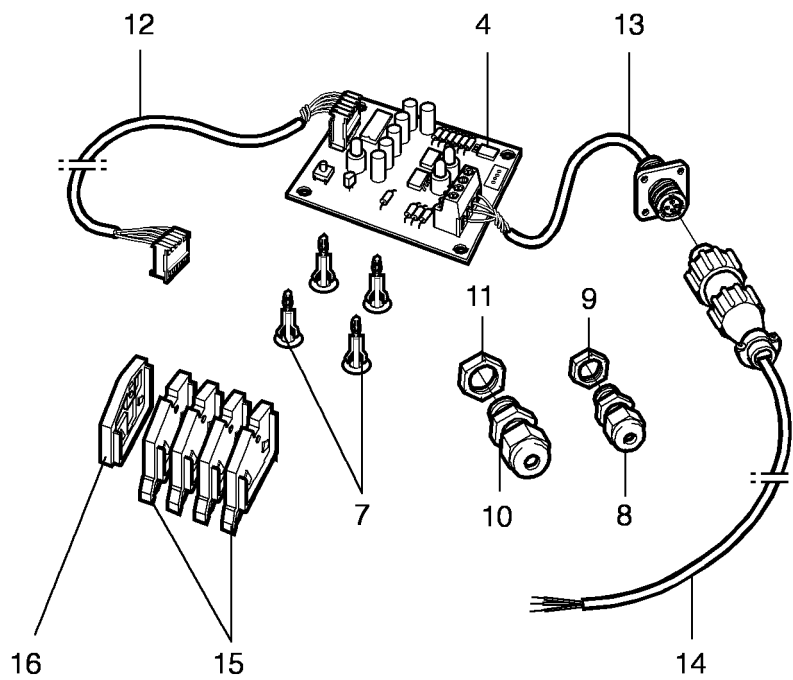
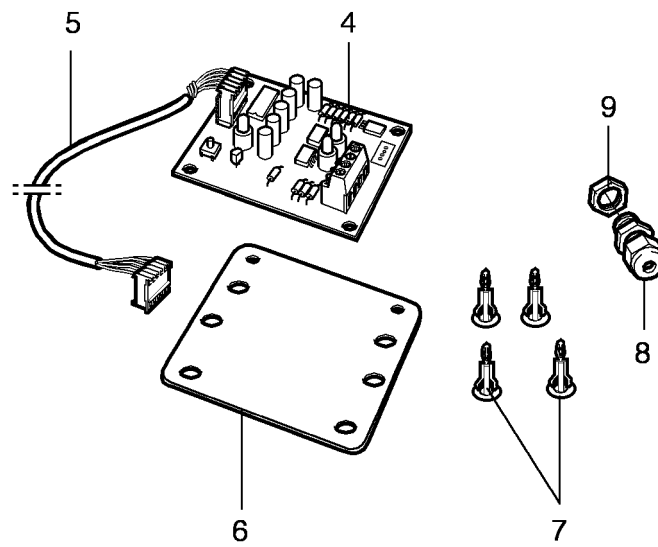
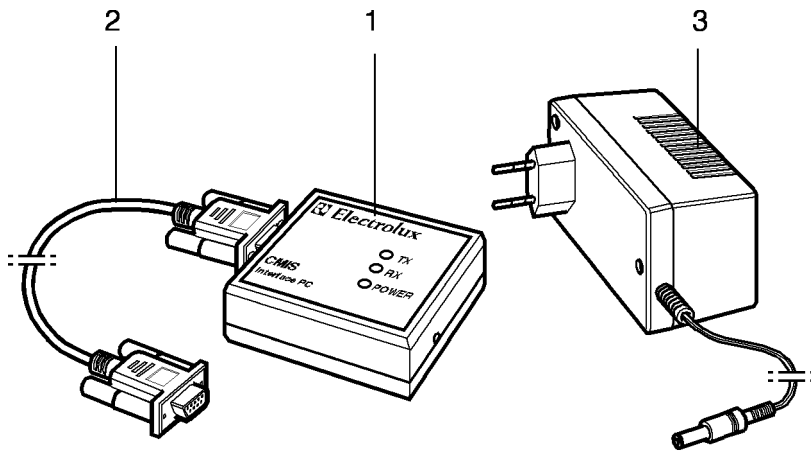
**E630,W630,W630c,W630s**

**Detergent container**

**Compartiment à savon**

Illustration Issue Month Year  
Schéma Issue Month Year  
**101771/2 5 4 2003**

Item Article	Qua. Qua.	Art.No Réf. article	Description	Description	Info Info	Notes Remarques
<b>1</b>	1	<b>432 2401-01</b>	Detergent container	Compartiment à savon	1,2	
<b>2</b>	2	<b>432 2404-01</b>	•Siphon	•Siphon	1,2	
<b>3</b>	1	<b>432 2405-01</b>	•Cover	•Couvercle	1,2	
<b>4</b>	1	<b>432 2406-01</b>	•Cover	•Couvercle	1,2	
<b>5</b>	2	<b>432 2407-01</b>	•Shaft	•Arbre	3	
<b>6</b>	1	<b>438 8103-01</b>	•Seal	•Joint	1,2	
<b>7</b>	1	<b>432 2409-01</b>	Cover	Couvercle	3	



Issue	Month	Year
01	10	02

**E630,W630,W630c,W630s**

**CMIS**

Illustration Issue Month Year  
Schéma Issue Month Year  
**102107/1 2 3 2008**

**CMIS**

Item Article	Qua. Qua.	Art.No Réf. article	Description	Description	Info Info	Notes Remarques
<b>1</b>	1	<b>438 8796-01</b>	Interface PC	Interface PC	1	Complete
<b>2</b>	1	<b>438 8793-01</b>	Cable	Câble	3	Complete
<b>3</b>	1	<b>471 9680-01</b>	Battery eliminator	Battery eliminator	3	24V
<b>4</b>	1	<b>438 8791-01</b>	CMIS Interface	CMIS Interface	1	
<b>5</b>	1	<b>432 2933-03</b>	Cable set	Jeu de câbles	3	
<b>6</b>	1	<b>471 4601-01</b>	Bracket	Pupitre	3	
<b>7</b>	4	<b>471 7958-02</b>	Support	Support	3	
<b>8</b>	1	<b>471 8780-01</b>	Screw fitting	Vis de raccord	3	15,2
<b>9</b>	1	<b>471 8780-31</b>	Nut	Écrou	3	15
<b>10</b>	1	<b>471 8780-02</b>	Screw fitting	Vis de raccord	3	18,2
<b>11</b>	1	<b>471 8780-32</b>	Nut	Écrou	3	18
<b>12</b>	1	<b>432 2933-02</b>	Cable set	Jeu de câbles	3	
<b>13</b>	1	<b>438 7300-87</b>	Cable set	Jeu de câbles	3	
<b>14</b>	1	<b>438 7300-88</b>	Cable set	Jeu de câbles	3	
<b>15</b>	4	<b>438 8762-01</b>	Block	Cale	3	
<b>16</b>	1	<b>438 8762-11</b>	Block	Cale	3	



## Numerical index/Numerical index

Art.No/Réf. article	Page/Page	Art.No/Réf. article	Page/Page	Art.No/Réf. article	Page/Page	Art.No/Réf. article	Page/Page
432 0149-01	33	432 2169-01	47	432 2620-08	13	432 2650-50	21
432 0150-01	33	432 2169-01	49	432 2630-01	29	432 2650-51	21
432 1210-06	17	432 2169-01	51	432 2630-02	29	432 2650-52	21
432 1210-07	17	432 2169-01	53	432 2630-03	29	432 2650-53	21
432 1220-01	45	432 2170-01	9	432 2630-04	29	432 2650-54	21
432 1451-01	7	432 2171-01	39	432 2630-06	29	432 2650-55	21
432 1453-01	7	432 2171-01	41	432 2630-09	29	432 2650-56	21
432 1455-01	17	432 2172-01	47	432 2630-10	29	432 2650-57	21
432 1463-01	17	432 2172-01	49	432 2649-03	19	432 2650-58	21
432 1465-01	17	432 2172-01	51	432 2649-04	19	432 2650-59	21
432 1472-01	17	432 2172-01	53	432 2649-05	19	432 2650-60	21
432 1477-01	7	432 2180-01	9	432 2649-06	19	432 2650-61	21
432 1501-11	11	432 2181-01	25	432 2649-07	19	432 2650-62	21
432 1501-12	11	432 2181-01	71	432 2649-20	19	432 2650-63	21
432 1541-01	11	432 2182-02	9	432 2649-21	19	432 2650-64	21
432 1546-01	11	432 2196-01	47	432 2649-22	19	432 2650-65	21
432 1551-01	11	432 2196-01	49	432 2649-23	19	432 2650-66	21
432 1561-01	11	432 2196-01	51	432 2649-24	19	432 2650-67	21
432 1566-01	11	432 2196-01	53	432 2649-25	19	432 2650-68	21
432 1571-11	11	432 2198-02	7	432 2649-26	19	432 2650-69	21
432 1571-12	11	432 2200-31	9	432 2649-27	19	432 2650-70	21
432 1571-13	11	432 2200-32	9	432 2649-28	19	432 2650-71	21
432 1606-21	11	432 2200-33	9	432 2650-02	19	432 2650-72	21
432 1606-22	11	432 2200-34	9	432 2650-03	19	432 2650-73	21
432 1631-01	69	432 2200-35	9	432 2650-04	19	432 2650-74	21
432 1653-01	7	432 2200-36	9	432 2650-05	19	432 2650-75	23
432 1654-01	7	432 2200-40	9	432 2650-06	19	432 2650-76	23
432 1673-01	69	432 2301-01	57	432 2650-07	19	432 2650-77	23
432 1826-01	13	432 2305-01	57	432 2650-08	19	432 2650-78	23
432 1841-02	13	432 2401-01	73	432 2650-09	19	432 2650-79	23
432 1856-01	13	432 2404-01	73	432 2650-10	19	432 2650-80	23
432 1871-01	13	432 2405-01	73	432 2650-11	19	432 2650-81	23
432 1886-01	13	432 2406-01	73	432 2650-12	19	432 2650-82	23
432 1886-11*	13	432 2407-01	73	432 2650-13	19	432 2650-83	23
432 1950-02	13	432 2409-01	73	432 2650-14	19	432 2650-84	23
432 1951-01	13	432 2501-01	63	432 2650-16	19	432 2650-85	23
432 1955-01	13	432 2502-01	63	432 2650-17	19	432 2650-86	23
432 1956-01	13	432 2505-01	63	432 2650-18	19	432 2650-87	23
432 1960-01	15	432 2506-01	65	432 2650-19	19	432 2650-88	23
432 1961-01	13	432 2507-01	65	432 2650-20	19	432 2650-89	23
432 2011-02	19	432 2508-01	65	432 2650-22	19	432 2650-90	23
432 2013-02	19	432 2510-01	65	432 2650-25	19	432 2650-91	23
432 2014-02	27	432 2511-01	65	432 2650-26	19	432 2650-92	23
432 2021-02	29	432 2515-01	65	432 2650-27	21	432 2650-93	23
432 2041-01	9	432 2515-02	67	432 2650-28	21	432 2650-94	23
432 2041-02	9	432 2516-04	67	432 2650-29	21	432 2650-95	23
432 2041-10	9	432 2517-02	67	432 2650-30	21	432 2650-96	23
432 2072-02	9	432 2518-02	67	432 2650-31	21	432 2650-97	23
432 2073-02	9	432 2519-02	65	432 2650-32	21	432 2650-98	23
432 2103-02	9	432 2521-03	65	432 2650-33	21	432 2651-51	21
432 2120-01	9	432 2530-01	67	432 2650-34	21	432 2652-05	23
432 2130-05	9	432 2531-02	67	432 2650-35	21	432 2652-06	23
432 2130-06	9	432 2534-01	67	432 2650-36	21	432 2652-07	23
432 2150-01	25	432 2536-01	67	432 2650-37	21	432 2652-08	23
432 2150-06	71	432 2537-01	67	432 2650-38	21	432 2652-09	23
432 2150-07	71	432 2548-01	67	432 2650-39	21	432 2652-10	23
432 2154-01	45	432 2603-13	29	432 2650-40	21	432 2652-11	23
432 2156-11	45	432 2603-14	27	432 2650-41	21	432 2652-12	23
432 2156-12	45	432 2603-15	25	432 2650-42	21	432 2652-13	23
432 2159-01	33	432 2603-20	25	432 2650-43	21	432 2652-14	23
432 2160-01	33	432 2603-20	27	432 2650-44	21	432 2652-15	23
432 2161-01	33	432 2603-20	29	432 2650-45	21	432 2652-16	23
432 2162-02	33	432 2620-01	13	432 2650-46	21	432 2652-17	23
432 2167-01	31	432 2620-02	13	432 2650-47	21	432 2652-18	23
432 2168-01	37	432 2620-04	13	432 2650-48	21	432 2652-19	23
432 2168-01	41	432 2620-07	13	432 2650-49	21	432 2652-20	23

## Numerical index/Numerical index

Art.No/Réf. article	Page/Page	Art.No/Réf. article	Page/Page	Art.No/Réf. article	Page/Page	Art.No/Réf. article	Page/Page
432 2652-21	23	432 2851-80	27	432 3082-43	35	432 3087-16	31
432 2652-22	23	432 2851-81	27	432 3082-44	71	432 3087-20	35
432 2652-23	23	432 2851-85	27	432 3082-45	37	432 3087-75	33
432 2652-24	25	432 2851-86	27	432 3082-45	41	432 3087-92	33
432 2652-25	25	432 2903-01	67	432 3082-48	35	432 3088-14	31
432 2652-26	25	432 2905-01	15	432 3082-49	35	432 3088-14	41
432 2652-27	25	432 2933-02	75	432 3082-52	37	432 3088-18	35
432 2652-28	25	432 2933-03	75	432 3082-53	37	432 3088-81	61
432 2652-29	25	432 2945-01	45	432 3082-56	35	432 3092-03	43
432 2652-30	25	432 2950-01	7	432 3082-58	31	432 3092-04	31
432 2652-31	25	432 2951-01	7	432 3082-58	37	432 3092-07	35
432 2652-32	25	432 2953-02	7	432 3082-58	41	432 3092-08	35
432 2652-33	25	432 2954-01	45	432 3082-59	33	432 3092-15	35
432 2652-34	25	432 2954-02	45	432 3082-65	37	432 3092-25	41
432 2652-35	25	432 2958-01	69	432 3082-65	41	432 3092-25	45
432 2652-36	25	432 2960-01	47	432 3082-74	7	432 3092-26	31
432 2652-37	25	432 2960-01	49	432 3082-75	31	432 3092-33	35
432 2652-38	25	432 2960-04	47	432 3082-77	33	432 3092-35	31
432 2652-39	25	432 2960-04	49	432 3082-86	45	432 3092-35	37
432 2652-40	25	432 2961-01	51	432 3082-90	35	432 3092-35	41
432 2652-41	25	432 2961-02	51	432 3082-99	31	432 3092-36	31
432 2720-01	19	432 2962-02	49	432 3082-99	37	432 3092-37	47
432 2720-02	19	432 2962-03	49	432 3082-99	41	432 3092-37	51
432 2720-03	19	432 2963-02	51	432 3083-13	37	432 3092-40	71
432 2720-04	19	432 2963-02	53	432 3083-13	41	432 3092-41	33
432 2720-05	19	432 2963-03	51	432 3083-14	37	432 3092-42	31
432 2720-06	19	432 2963-03	53	432 3083-14	41	432 3092-43	35
432 2720-08	19	432 2964-02	47	432 3083-18	35	432 3092-44	71
432 2720-09	19	432 2964-02	49	432 3083-30	35	432 3092-45	37
432 2720-10	19	432 2964-03	47	432 3083-35	37	432 3092-45	41
432 2720-11	19	432 2964-03	49	432 3083-35	41	432 3092-52	37
432 2720-12	19	432 2966-01	47	432 3083-36	17	432 3092-53	37
432 2720-13	19	432 2966-01	49	432 3083-81	37	432 3092-56	35
432 2720-14	19	432 2971-01	51	432 3084-06	71	432 3092-58	31
432 2720-15	19	432 2971-03	47	432 3084-13	35	432 3092-58	37
432 2750-01	29	432 2972-01	49	432 3084-16	35	432 3092-58	41
432 2802-01	27	432 2972-01	53	432 3084-28	41	432 3092-59	33
432 2802-40	27	432 2981-01	33	432 3084-31	31	432 3092-65	37
432 2802-80	27	432 2982-10	67	432 3084-40	33	432 3092-70	35
432 2844-01	9	432 2985-01	7	432 3085-04	35	432 3092-75	31
432 2851-01	27	432 2986-01	45	432 3085-12	35	432 3092-86	45
432 2851-02	27	432 2992-01	17	432 3085-15	33	432 3092-94	31
432 2851-04	27	432 3003-01	67	432 3085-25	35	432 3092-99	31
432 2851-05	27	432 3045-01	45	432 3085-30	37	432 3092-99	37
432 2851-07	27	432 3071-01	51	432 3085-30	41	432 3092-99	41
432 2851-08	27	432 3071-03	47	432 3086-01	45	432 3093-01	41
432 2851-10	27	432 3072-01	49	432 3086-10	31	432 3093-13	37
432 2851-11	27	432 3072-01	53	432 3086-13	41	432 3093-13	41
432 2851-13	27	432 3082-04	31	432 3086-14	37	432 3093-14	37
432 2851-14	27	432 3082-07	35	432 3086-16	37	432 3093-14	41
432 2851-16	27	432 3082-08	35	432 3086-60	59	432 3093-18	35
432 2851-17	27	432 3082-15	35	432 3086-60	61	432 3093-30	35
432 2851-19	27	432 3082-18	35	432 3086-81	59	432 3093-35	37
432 2851-25	27	432 3082-21	35	432 3086-89	31	432 3093-35	41
432 2851-40	27	432 3082-25	45	432 3086-89	37	432 3093-36	17
432 2851-41	27	432 3082-26	31	432 3086-89	41	432 3093-81	37
432 2851-43	27	432 3082-33	35	432 3086-92	33	432 3094-06	71
432 2851-44	27	432 3082-35	31	432 3087-05	31	432 3094-13	35
432 2851-46	27	432 3082-35	37	432 3087-06	37	432 3094-16	35
432 2851-47	27	432 3082-35	41	432 3087-06	41	432 3094-28	41
432 2851-49	27	432 3082-36	31	432 3087-07	37	432 3094-31	31
432 2851-50	27	432 3082-37	47	432 3087-07	41	432 3095-04	35
432 2851-52	27	432 3082-37	51	432 3087-08	37	432 3095-05	43
432 2851-53	27	432 3082-40	71	432 3087-08	41	432 3095-12	35
432 2851-54	27	432 3082-41	33	432 3087-09	37	432 3095-15	33
432 2851-55	27	432 3082-42	31	432 3087-09	41	432 3095-25	35

## Numerical index/Numerical index

Art.No/Réf. article	Page/Page	Art.No/Réf. article	Page/Page	Art.No/Réf. article	Page/Page	Art.No/Réf. article	Page/Page
432 3095-30	37	438 0055-01	63	438 9555-11	37	471 7871-04	63
432 3095-30	41	438 0056-03	57	438 9555-11	41	471 7871-07	65
432 3096-10	31	438 0056-04	57	438 9555-12	31	471 7871-07	67
432 3096-13	41	438 0076-02	37	438 9555-12	33	471 7871-08	57
432 3096-14	37	438 0076-02	41	438 9555-12	37	471 7873-02	65
432 3096-16	37	438 0299-01	33	438 9555-12	41	471 7958-02	31
432 3096-60	59	438 0299-01	35	438 9561-01	15	471 7958-02	33
432 3096-60	61	438 4062-01	13	438 9636-02	51	471 7958-02	37
432 3096-89	31	438 4118-01	7	438 9636-02	53	471 7958-02	41
432 3096-89	37	438 5109-02	9	438 9636-03	47	471 7958-02	45
432 3096-89	41	438 5335-01	9	438 9636-03	49	471 7958-02	47
432 3096-92	33	438 7123-01	33	438 9636-03	51	471 7958-02	51
432 3097-05	31	438 7123-02	33	438 9636-03	53	471 7958-02	75
432 3097-06	37	438 7123-03	33	438 9642-01	41	471 7967-02	9
432 3097-06	41	438 7123-04	33	438 9644-01	37	471 7977-03	9
432 3097-07	37	438 7123-05	33	438 9645-01	41	471 8118-02	65
432 3097-07	41	438 7123-06	33	438 9648-01	71	471 8124-03	65
432 3097-08	37	438 7123-07	33	438 9648-02	71	471 8126-27	69
432 3097-08	41	438 7123-08	33	438 9650-01	37	471 8128-41	65
432 3097-09	37	438 7123-09	33	438 9650-01	41	471 8128-64	65
432 3097-09	41	438 7123-10	33	438 9678-01	45	471 8139-01	65
432 3097-16	31	438 7123-11	33	438 9678-11	45	471 8139-11	65
432 3097-20	35	438 7123-12	33	438 9678-12	45	471 8175-01	57
432 3097-92	33	438 7123-13	33	438 9700-31	17	471 8192-01	7
432 3098-14	31	438 7123-14	33	438 9700-32	17	471 8195-01	63
432 3098-14	41	438 7123-15	33	438 9700-37	17	471 8196-01	9
432 3098-18	35	438 7123-16	33	438 9709-31	17	471 8199-01	57
432 3098-81	61	438 7123-17	33	438 9709-32	17	471 8215-03	67
432 3182-02	35	438 7123-18	33	438 9709-33	17	471 8236-76	59
432 3182-11	31	438 7123-19	33	438 9709-34	17	471 8236-76	61
432 3182-30	47	438 7123-20	33	471 2265-69	37	471 8236-78	59
432 3182-30	51	438 7123-21	33	471 2265-69	41	471 8236-78	61
432 3182-41	65	438 7123-22	33	471 2265-69	65	471 8240-64	61
432 3182-52	45	438 7123-23	33	471 2433-14	65	471 8240-68	61
432 3182-61	29	438 7300-87	75	471 2440-36	37	471 8240-91	61
432 3182-72	29	438 7300-88	75	471 2440-36	41	471 8243-04	65
432 3182-78	29	438 7950-01	45	471 2442-42	65	471 8243-05	65
432 3182-93	35	438 7950-02	45	471 2449-95	65	471 8243-06	65
432 3182-94	31	438 8102-06	65	471 2464-18	39	471 8243-07	65
432 3182-94	37	438 8103-01	73	471 2464-18	41	471 8243-08	65
432 3182-94	41	438 8115-02*	13	471 2464-18	65	471 8243-09	65
432 3192-02	35	438 8155-02	11	471 2937-01	69	471 8243-10	65
432 3192-11	31	438 8701-03	43	471 4601-01	75	471 8279-03	69
432 3192-30	51	438 8701-04	43	471 4672-67	9	471 8279-08	69
432 3192-52	45	438 8701-05	43	471 4792-01	57	471 8319-02	17
432 3192-61	29	438 8701-06	43	471 4835-01	65	471 8323-01	11
432 3192-72	29	438 8762-01	75	471 4904-02	71	471 8328-02	11
432 3192-78	29	438 8762-11	75	471 6860-18	59	471 8342-47	15
432 3192-94	37	438 8785-02	45	471 6860-18	61	471 8344-35	9
432 3192-94	41	438 8786-02	45	471 6860-19	59	471 8344-36	13
432 3905-01	17	438 8787-01	45	471 6860-19	61	471 8404-02	13
432 3907-01	31	438 8788-01	45	471 6860-20	59	471 8458-02	9
432 3908-01	31	438 8789-01	45	471 6860-20	61	471 8502-10	17
432 3909-01	31	438 8791-01	75	471 7182-26	47	471 8502-14	11
432 3910-01	31	438 8793-01	75	471 7182-26	49	471 8502-24	17
432 3911-01	31	438 8796-01	75	471 7182-26	51	471 8613-05	65
432 4112-01	13	438 8797-01	45	471 7182-26	53	471 8624-01	69
432 4115-52	7	438 8803-01	37	471 7565-21	9	471 8641-02	9
438 0013-01	17	438 8981-01	37	471 7711-08	17	471 8644-02	57
438 0016-11	17	438 8981-01	41	471 7807-02	7	471 8688-13	57
438 0040-01	37	438 8981-02	37	471 7818-01	63	471 8688-13	63
438 0040-01	41	438 8981-02	41	471 7826-10	9	471 8693-21	57
438 0051-01	63	438 8981-03	37	471 7859-12	45	471 8695-01	69
438 0052-01	63	438 8981-03	41	471 7859-16	45	471 8697-01	69
438 0053-01	63	438 9555-11	31	471 7864-01	9	471 8748-01	17
438 0054-01	63	438 9555-11	33	471 7867-01	17	471 8748-03	17

Numerical index/Numerical index

Art.No/Réf. article	Page/Page	Art.No/Réf. article	Page/Page	Art.No/Réf. article	Page/Page	Art.No/Réf. article	Page/Page
471 8750-11	33	472 9913-43	31				
471 8750-11	45	472 9913-43	33				
471 8759-01	45	472 9913-43	37				
471 8759-51	45	472 9913-43	41				
471 8767-01	45	472 9913-44	17				
471 8780-01	75	472 9913-72	15				
471 8780-02	75	472 9913-87	17				
471 8780-31	75	472 9915-17	9				
471 8780-32	75	472 9915-18	9				
471 8792-01	33	472 9915-19	9				
471 8793-01	33	472 9915-20	9				
471 8859-10*	37	472 9915-67	9				
471 8859-10*	41	472 9915-68	9				
471 8861-01	31	472 9915-69	9				
471 8861-01	33	472 9915-70	9				
471 8861-01	37	725 2289-61	71				
471 8861-01	41	725 2366-61	13				
471 8988-11	31	725 2465-71	7				
471 8992-13	47	725 2538-51	17				
471 8992-13	51	728 8362-11	13				
471 8993-01	33	732 2112-01	25				
471 8995-11	33	732 2112-01	71				
471 8995-12	33	732 2116-42	63				
471 8997-03	33	732 2118-01	7				
471 9219-65	67	732 2118-01	11				
471 9222-59	11	734 1153-09	63				
471 9501-02	47	735 2136-01	71				
471 9501-02	49	735 2153-01	9				
471 9525-24	55	735 3139-00	11				
471 9525-25	55	735 9501-01	11				
471 9525-27	55	736 2816-51	57				
471 9525-31	55	736 2825-51	65				
471 9529-05	51	736 2831-51	65				
471 9529-05	53	736 2837-51	65				
471 9550-54	7	736 2837-51	67				
471 9550-59	7	736 2840-51	65				
471 9558-12	31	736 2846-51	57				
471 9566-05	47	736 2846-51	65				
471 9566-05	49	736 2846-51	67				
471 9566-05	55	740 4206-00	57				
471 9604-01	47	741 5109-25	57				
471 9628-32	29	744 3113-06	69				
471 9628-33	29	762 1182-10	45				
471 9635-10	45	762 1215-10	45				
471 9635-11	45	762 9102-05	57				
471 9652-01	41	767 5101-92	49				
471 9652-02	37	767 5101-92	53				
471 9652-02	41	767 5102-92	47				
471 9678-94	45	767 5102-92	49				
471 9679-01	15	767 5102-92	53				
471 9680-01	75	877 5211-08	57				
471 9821-11	7						
471 9821-12	7						
471 9821-13	7						
471 9821-14	7						
471 9821-15	7						
471 9821-99	7						
471 9823-11	7						
471 9823-12	7						
472 6082-02	37						
472 6082-02	41						
472 6761-01	57						
472 9900-99	9						
472 9913-01	13						
472 9913-13	11						
472 9913-22	7						





## **WASCOMAT**

461 Doughty Blvd., Inwood, L.I., N.Y. 11096-0338

Telephone: 516-371-4400

Parts and Service FAX: 516-371-4029

Sales and Administration FAX: 516-371-4204